



3P Wall Mount Height Rod Installation and Operating Guide

Installation

1. Remove the cardboard insert from the height rod.
2. Referring to the diagram on the back, install the two (2) hex head screws* from the hardware pack in the wall. The lower mounting screw should be 7 15/16 inches (20.2 cm) from the floor, and the upper mounting screw should be 35 7/16 inches (90.0 cm) above the lower screw or 43 3/8 inches (110.2 cm) from the floor. Leave about a 3/16-inch (5 mm) gap between the head of the screw and the wall.
3. Place both height rod wall mount brackets over the two (2) pre-installed hex head screws and pull down. **Note that the bottom of the height rod should touch the floor.**
4. Use the included wrench to tighten both hex head screws. Do not over tighten the screws.

***NOTE:** The hardware pack contains two (2) longer #10 x 1" and two (2) shorter #10 x 3/4" screws. Use the longer #10 x 1" screws for mounting the height rod to the wall. The shorter #10 x 3/4" screws are for attaching the height rod to a scale column.

Operation

1. Before the person steps up to the height rod to be measured, the spoon should be rotated to the horizontal position, and raise well above the person's apparent height.
2. The person may now step up to the height rod. The spoon should be held horizontal and above the person's head.
3. Carefully lower the spoon, while keeping it horizontal, until the spoon rests upon the top of the person's head.

NOTE: If the person is shorter than 3' 9 1/4" (114.9 cm), press the red button on the top of the height rod and carefully lower the spoon until the spoon rests horizontally on the top of the person's head.

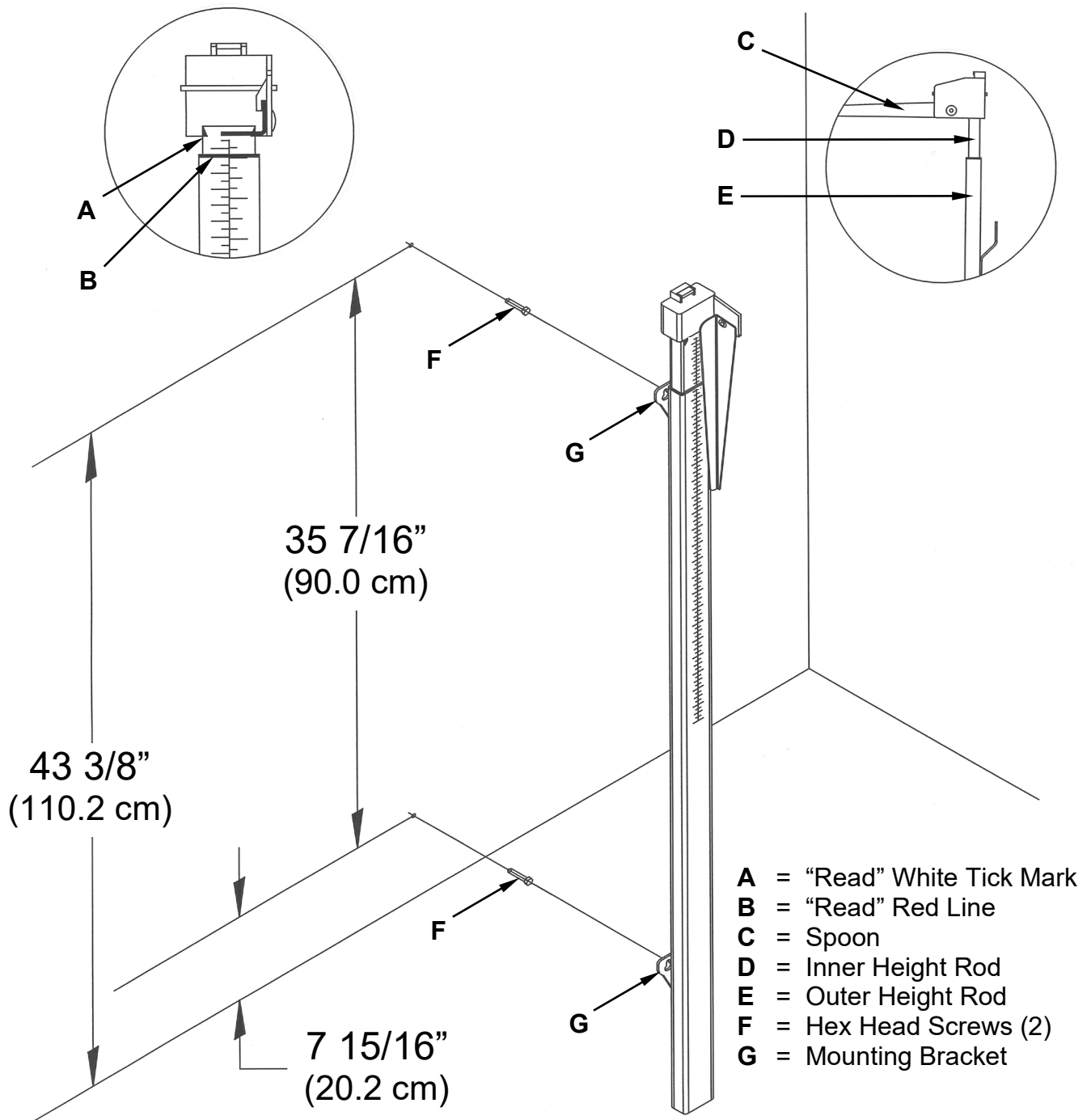
4. Read the height of the person as follows:

If the person is shorter than 3' 9 1/4" (114.9 cm), the white tick marks and the back of the spoon point to the outer height rod, and the height is read on the outer height rod.

If the person is taller than 3' 9 1/4" (114.9 cm), the red line on the outer height rod will align with values on the inner height rod, and the height is read on the inner height rod.

5. While holding the spoon horizontally, raise the spoon above the person's head. The person may now step away from the height rod. Hold the spoon horizontal until the person is clear of the height rod.
6. Rotate the spoon back to the vertical position and adjust the height rod back to the rest position (i.e., the spoon should be locked in place to the inner height rod and the inner rod should be at its lowest position).

3P WALL MOUNT HEIGHT ROD INSTALLATION DIAGRAM



NOTES:

- Leave approximately 3/16-inch (5 mm) gap between the head of the screw and the wall when installing the two #10 x 1" hex head screws.
- When correctly installed, the bottom of the height rod should touch the floor.

Cardinal Scale Manufacturing Co.
 102 E. Daugherty, Webb City, MO 64870 USA
 Ph: 417-673-4631 or 1-800-641-2008
 Fax: 417-673-2153

Technical Support: 1-866-254-8261
 E-mail: tech@cardet.com