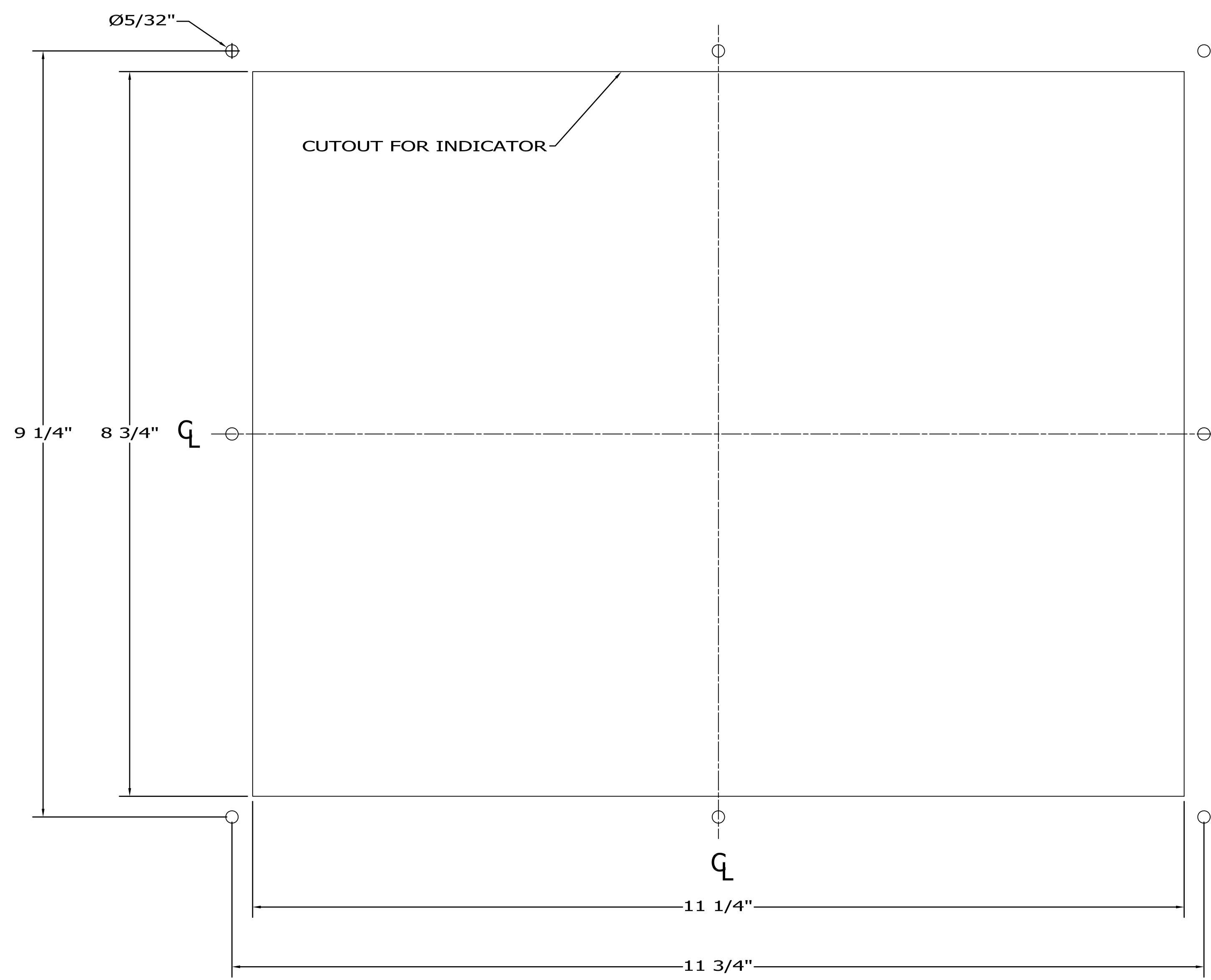
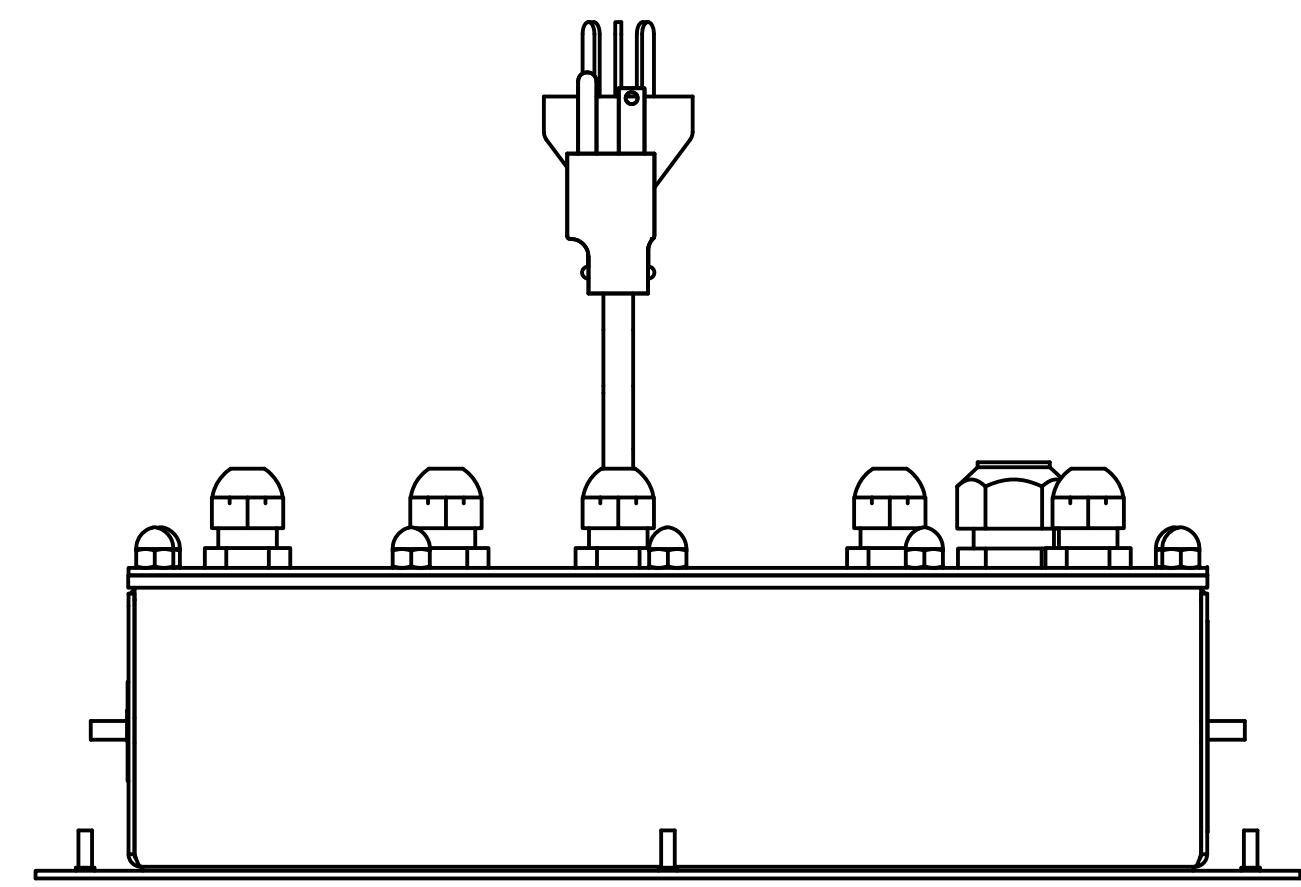
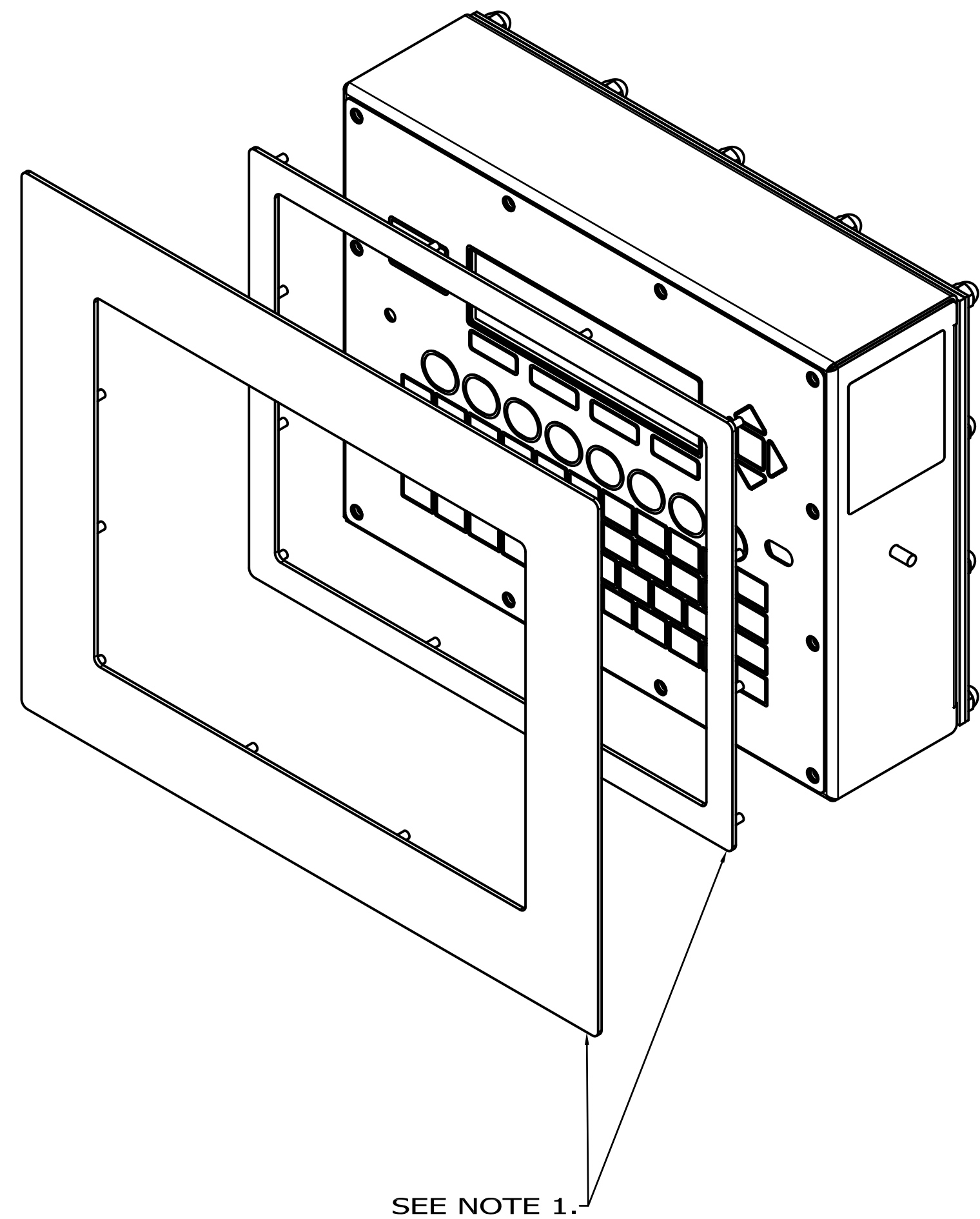


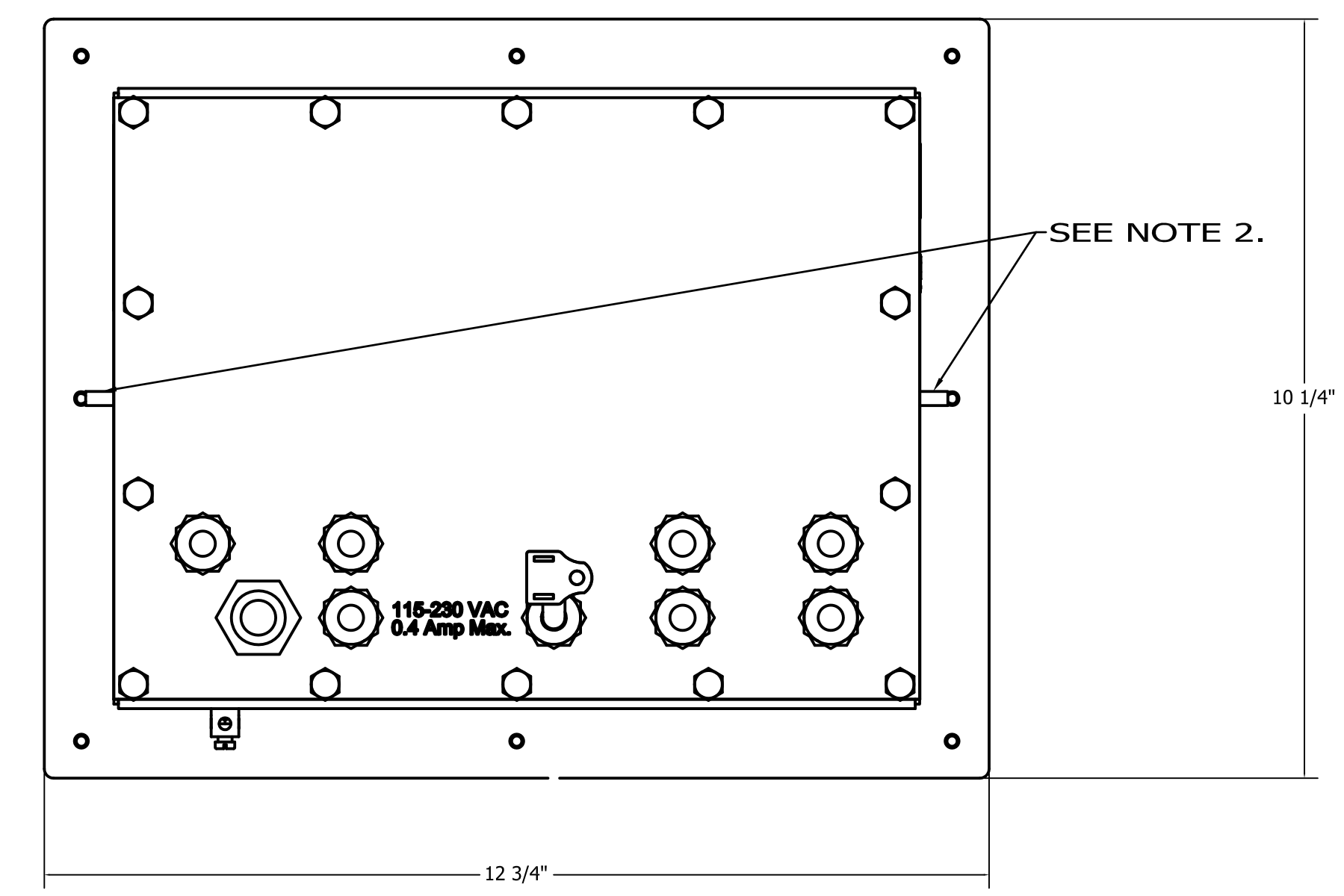
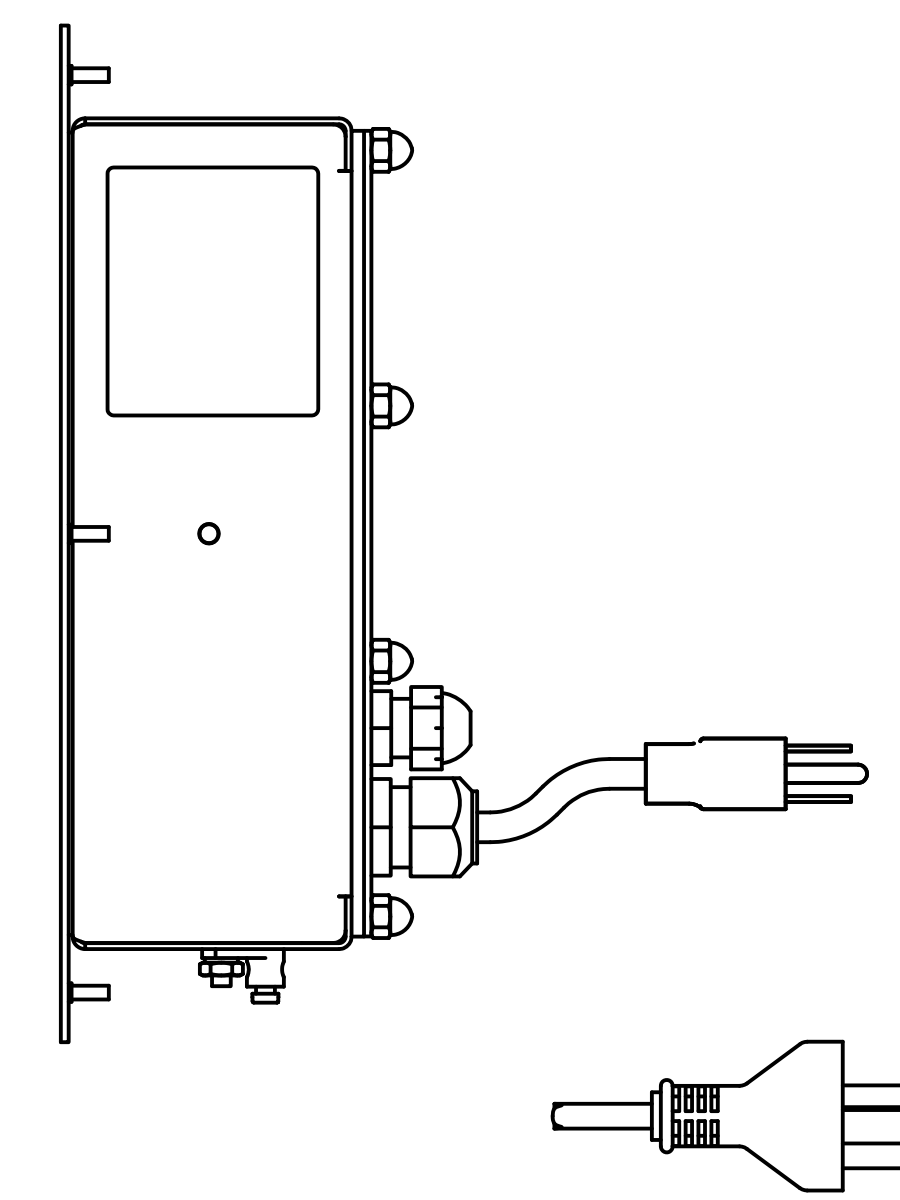
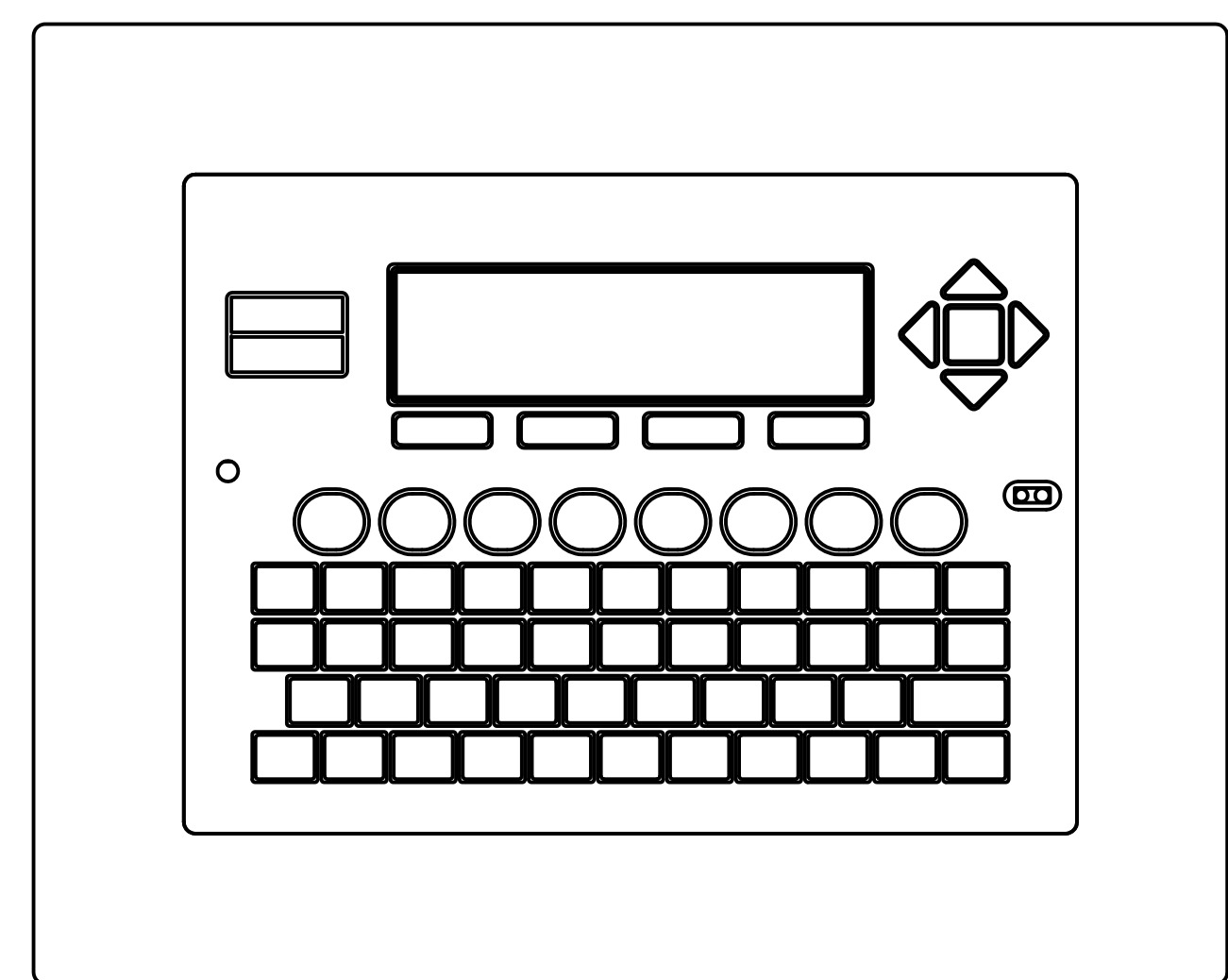
REVISION HISTORY			
LTR	DESCRIPTION	DATE	BY
A	RELEASE FOR PRODUCTION	09/08/08	24486 BP

NOTES:
 1. REPLACE STANDARD BEZEL WELDMENT (8200-C308-0A) WITH 225-PANEL BEZEL WELDMENT (8200-C330-0A).
 2. REMOVE GIMBAL MOUNT STUDS.
 3. PREPARE MOUNTING AREA AS SHOWN IN MOUNTING DETAIL VIEW.



MOUNTING DETAIL

SEE NOTE 3.



QTY.	QTY.	QTY.	ITEM	PART/DWG. NUMBER	DESCRIPTION	MATERIAL OR SOURCE	WT. EACH
PARTS/MATERIAL LIST							
<small>UNLESS OTHERWISE SPECIFIED TOLERANCE ON DIMENSIONS ARE: ANGLES ± 1° Q₂' INTEGERS/FRACTIONS ± 1/16 IN. DECIMALS (.X) ± .03 IN. DECIMALS (.XX) ± .01 IN. DECIMALS (.XXX) ± .005 IN. NOTE: WHOLE NUMBERS MUST BE WRITTEN XX.000 TO INVOKE DECIMAL TOLERANCES.</small>							
 Cardinal <small>Cardinal Scale Manufacturing Co.</small> <small>WEBB CITY, MISSOURI-USA-64470</small>				CARDINAL DETECTO FULLER WEIGHING SYSTEMS			
TITLE 225-PANEL MOUNTING DIMENSIONS							
SCALE		DO NOT SCALE DRAWING		NEXT ASSEMBLY			
DR. BMP		DATE 09/08/08					
CH.		DATE					
MODEL		SHEET 1 OF 1		DWG. NO.		REV.	
225-PANEL				8200-D377-GS		A	