

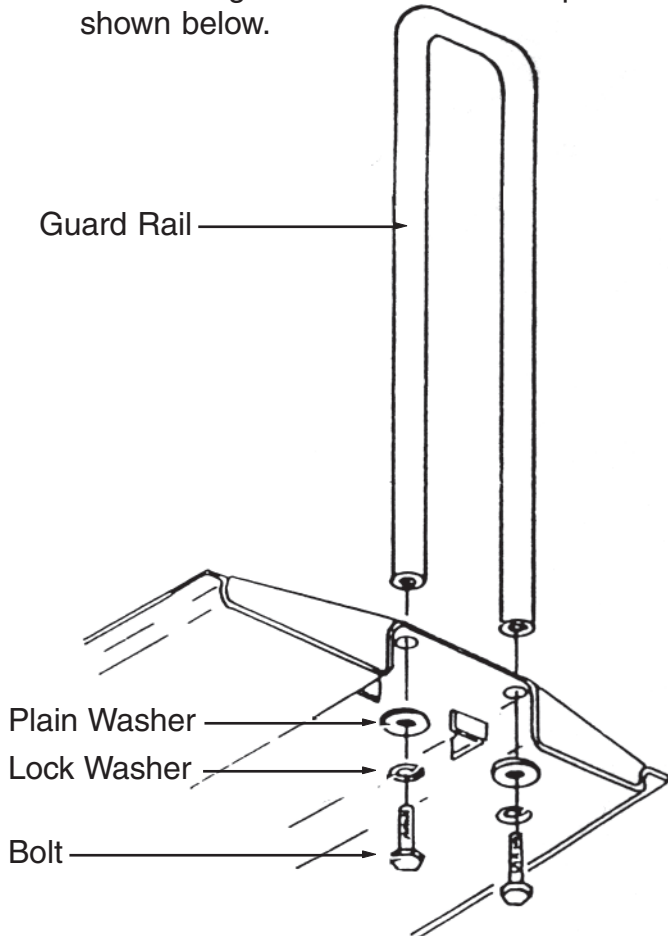
# SET-UP INSTRUCTIONS FOR DETECTO WHEEL CHAIR SCALE RAMP • GUARD RAIL • COUNTERWEIGHT

## 1. UNPACKING

- A. Before removing the wheelchair ramp from the packing, examine the packing for any sign of damage.
- B. Remove all packing material from the inside of carton. Keep carton and packing material until ramp is installed and operational.

## 2. GUARD RAIL ASSEMBLY

Assemble guard rail to rear of ramp as shown below.

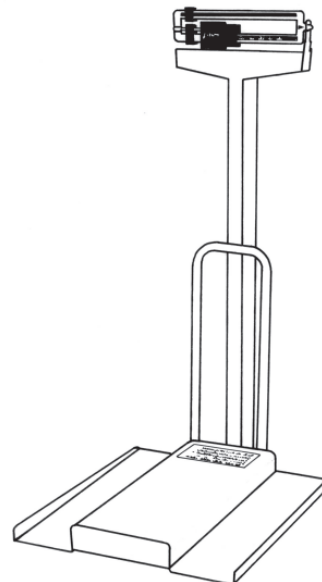
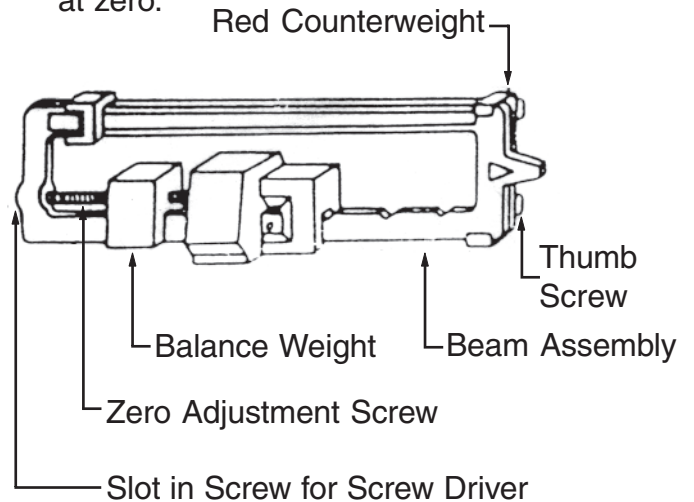


## 3. SCALE/RAMP ASSEMBLY

Fit ramp on the scale, making sure to match the four (4) elevated corners of the ramp with that of the scale platform.\*

## 4. COUNTERWEIGHT ASSEMBLY

Attach counterweight and two (2) thumb screws and adjust balance weight on beam assembly so that beam balances at zero.



**IMPORTANT**  
Wheelchair ramp can only be used with Detecto Physician's scale. Capacity must be 350 lb or 140 kg.

**\*Remove plastic platform cover. Only use cover when ramp is not in use.**



A Division of Cardinal Scale Manufacturing Co.

P.O. Box 151, Webb City, MO 64870 USA  
Ph: 417-673-4631 or 1-800-641-2008 Fax: 417-673-5001  
Visit our Web site at [www.detectoscale.com](http://www.detectoscale.com)