



# 7550 Fold-up Stationary Wheelchair Scale

## Installation and Operation Manual



0065-0647-OM Rev A  
11/13

CARDINAL SCALE MFG. CO.  
203 E. Daugherty, Webb City, MO 64870 USA  
Ph: 417-673-4631 • Fax: 417-673-2153  
[www.detecto.com](http://www.detecto.com)

Printed in USA

Technical Support: Ph: 866-254-8261 • [tech@cardet.com](mailto:tech@cardet.com)



# INTRODUCTION

Thank you for purchasing our DETECTO™ 7550 Fold-up Stationary Wheelchair Scale. It has been manufactured with quality and reliability and has been assembled and tested before leaving our factory to insure accuracy and dependability for years to come.

This manual is provided to guide you through the assembly of your scale. Please read it thoroughly before attempting to assemble your scale and keep it handy for future reference.

# COPYRIGHT

All rights reserved. Reproduction or use, without expressed written permission, of editorial or pictorial content, in any manner, is prohibited. No patent liability is assumed with respect to the use of the information contained herein.

# DISCLAIMER

While every precaution has been taken in the preparation of this manual, the Seller assumes no responsibility for errors or omissions. Neither is any liability assumed for damages resulting from use of the information contained herein. All instructions and diagrams have been checked for accuracy and ease of application; however, success and safety in working with tools depend to a great extent upon the individual accuracy, skill and caution. For this reason the Seller is not able to guarantee the result of any procedure contained herein. Nor can they assume responsibility for any damage to property or injury to persons occasioned from the procedures. Persons engaging the procedures do so entirely at their own risk.

## PRECAUTIONS

Before beginning assembly of this scale, read this manual and pay special attention to all "NOTIFICATION" symbols:



**IMPORTANT:**

## SPECIFICATIONS

Capacity:	1,000 lb x 0.2 lb / 450 kg x 0.1 kg
Platform Size (Flat Portion):	32.3 in W x 33 in D / 81.9 cm W x 83.9 cm D
Overall Dimensions	
Width:	50.3 in / 127.6 cm
Depth:	39.3 in / 99.7 cm (with platform extended) 7.3 in / 18.4 cm (without platform extended)
Height:	44.5 in / 113 cm (with indicator) 41.1 in / 104.4 cm (without indicator)
Power:	6 “C” cell Alkaline, Ni-Cad or NiMH batteries (not included) OR an optional 12 VDC 1.25A wall plug-in AC power adapter (Detecto part number MV1PWR)
Display:	5-digit, 7-segment, 7/8 inch (22.23 mm) high LCD weight digits
Keypad:	19 key, color-coded, sealed membrane
Connectivity:	RS232 serial, USB and optional wired and Wi-Fi Ethernet
Weight:	180 lb

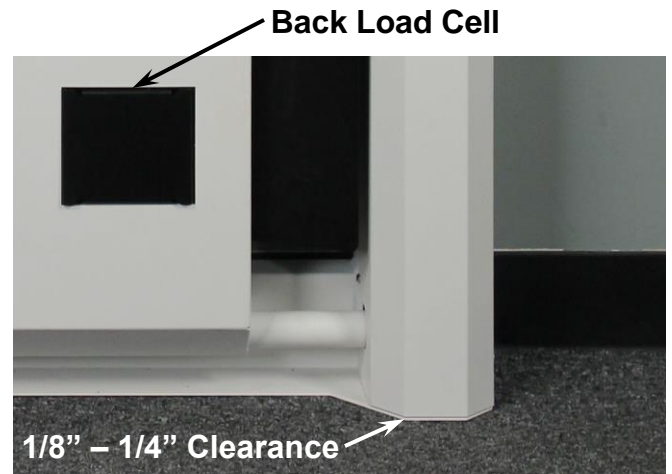
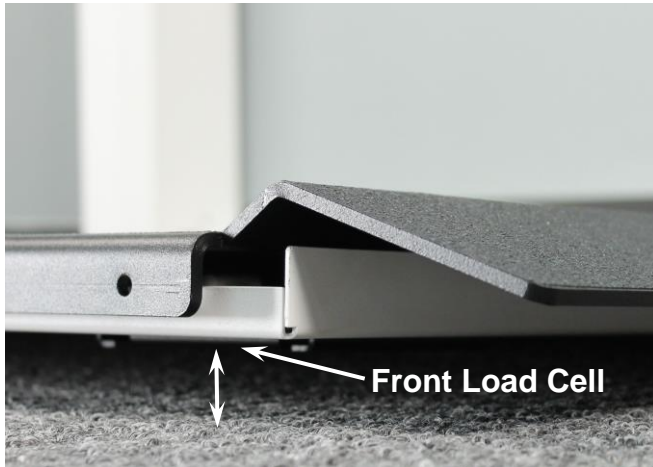
## FEATURES

- Slim, 7.3-inch Profile
- 2-Way Easy Access Ramps
- Compact Vertical Fold-Up Platform Conserves Space
- Gas Spring Lifting Mechanism
- Platform Lip to Hold Wheelchairs in Place on Scale
- Optional Wi-Fi Connectivity for EMR/HER
- Sturdy Steel Construction for Durability
- RS232 Serial and USB Ports Standard
- 350-Degree Tilt-and-Swivel Rotating Indicator
- Body Mass Index Calculation
- Optional Printer Available to Record Patient Weights

# INSTALLATION

## Location

The scale should be installed in a location with a flat, level floor. Note that the weighing platform will not sit completely against the floor. This will not affect the accuracy of the scale as the weighing platform will settle to the floor when the patient is placed on the scale.



**The front load cells of the weighing platform will be off the floor. The back load cells must be sitting completely on the floor.**

There should be 1/8" to 1/4" clearance between the sides of the scale frame and the floor. This clearance is required for the lift mechanism to close completely. The included shims can be used to raise the scale if there are slight imperfections with the floor or wall mount installation that sits the wall mount too low and prevents the scale from closing completely. If the wall mount is too high the back load cells will not touch the floor when the weighing platform is lowered. If the wall mount is too high, the wall mount must be moved lower on the wall or the scale will not function correctly.



**NOTE:** It may be necessary to remove any base molding/chair rail/wall guard or to remove a section of the base molding/chair rail/wall guard to provide space to mount the scale in a true vertical position. An alternative method would be to shim the wall mount away from the wall to accommodate any base molding/chair rail/wall guard.

This page intentionally left blank.

## Step 1 – Unpack the Scale



**IMPORTANT: UNPACKING AND INSTALLATION OF THIS PRODUCT SHOULD BE PERFORMED BY TWO PEOPLE. PLEASE READ THROUGH THE INSTRUCTIONS CAREFULLY BEFORE STARTING TO INSTALL THE SCALE.**

**NOTE:** Make certain the scale has been received in good condition. Check for any damage incurred in shipping. If scale has been damaged, place a claim with the carrier. It is the responsibility of the purchaser to file all claims for any damages or loss incurred during transit. Keep the carton and packing material for return shipment if it should become necessary.



1. Cut the shipping straps and remove the shipping carton top to unpack the scale.
2. Remove the boxes containing the Wall Mount and Weight Indicator from the shipping carton.



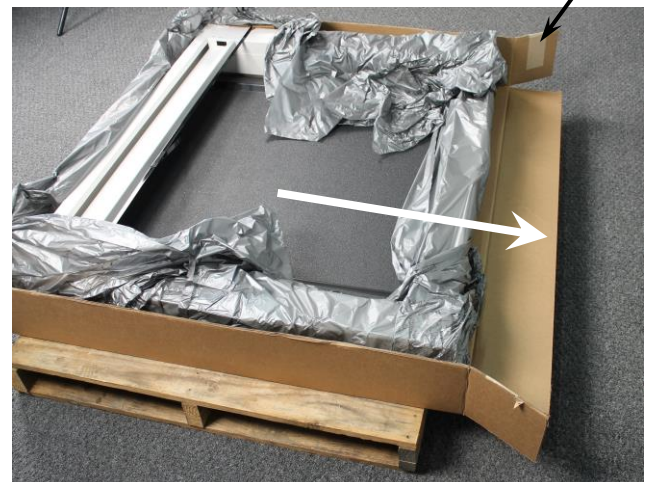
**NOTE:** Leave the strap securing the Weighing Platform to the Scale Frame until instructed to remove it in “Step 4 – Install the Scale on the Wall Mount”.

**DO NOT lift scale by this strap!**

3. Remove all packing material.
4. Cut the tape securing the flaps on one end of the carton and with an assistant, slide the scale out of the carton.



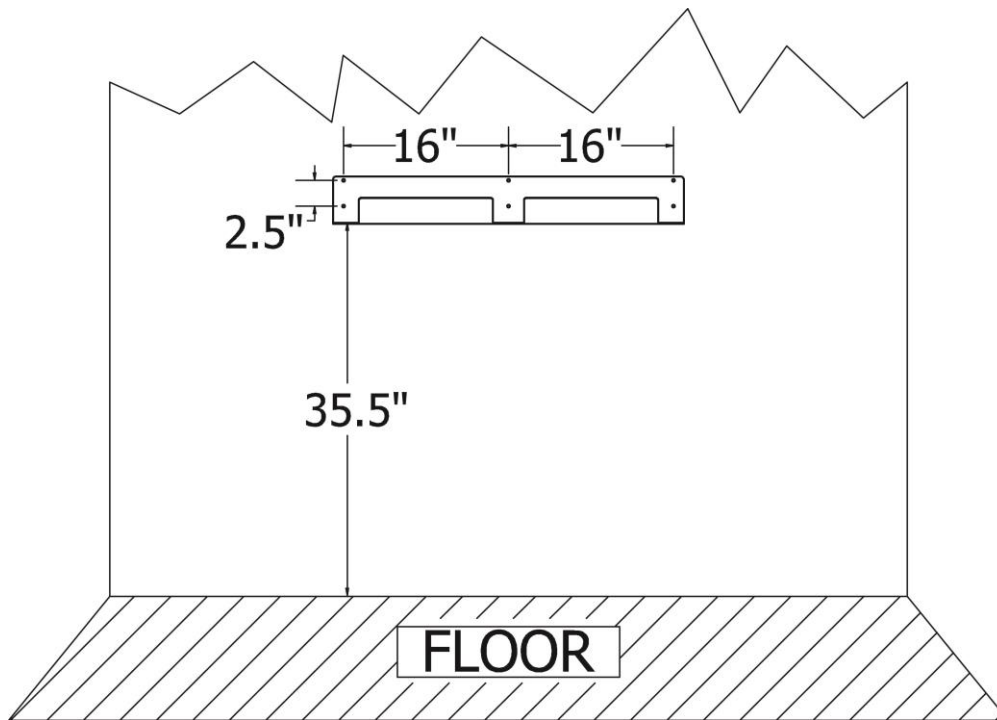
**NOTE:** When the scale is out of the carton, **DO NOT** lift the scale by the strap securing the weighing platform to the scale frame to raise the scale to the upright position.



## Step 2 – Install the Wall Mount



**NOTE:** Due to the various types of wall construction, no mounting hardware is furnished with the scale. Appropriate mounting hardware suitable to the wall's construction will need to be obtained to secure the wall mount to the wall.



The wall mount allows the scale to be adjusted up or down and left or right to accommodate floors that may not be perfectly flat. This insures the accuracy of the weighing platform and prevents undue stress to the scale.

The wall mount should be secured to the wall using mounting hardware suitable to the wall's construction. The six (6) holes (in groups of two, sixteen (16) inches apart) in the wall mount allow for 1/4" hardware to be used to secure the wall mount to the wall.

1. Determine the desired location where the scale is to be mounted.
2. With an assistant, place the wall mount against the wall. Insure it's level and 35 1/2" from the top edge of the wall mount to the floor.
3. Mark the holes to mount the wall mount.
4. Remove the wall mount and drill the required diameter holes for the mounting hardware used.
5. Fasten the wall mount to the wall.





### Step 3 – Routing the Load Cell Cable

1. With the help of an assistant, raise the scale to the upright position.



**NOTE: DO NOT lift the scale by the shipping strap to raise to the upright position. Refer to the note and picture in “Step 1 – Unpack the Scale”.**

2. On the back of the scale, locate the load cell cable and the large cut-out in the scale frame.



3. Feed the load cell cable through the large cut-out in the back of the scale frame.



4. Continue feeding the load cell cable through the scale frame and up through the notch in the top of the scale frame.



## Step 4 – Install the Scale on the Wall Mount

1. Once the Load Cell cable has been routed through the scale frame, remove the strap securing the weighing platform to the scale frame. Refer to the note and picture in Step 1.
2. With an assistant, lift the scale above the wall mount and then lower it into position in the channel of the wall mount.

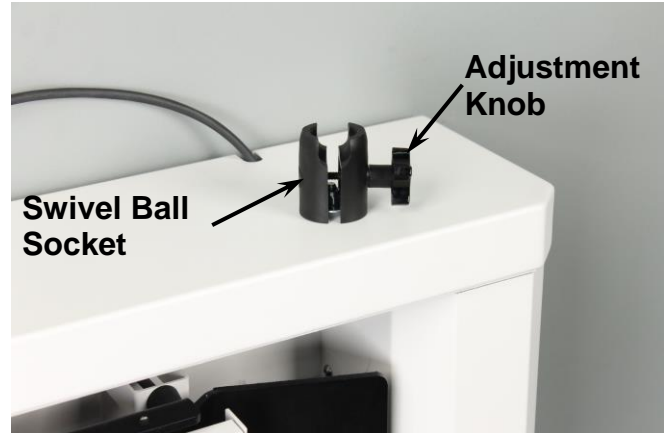
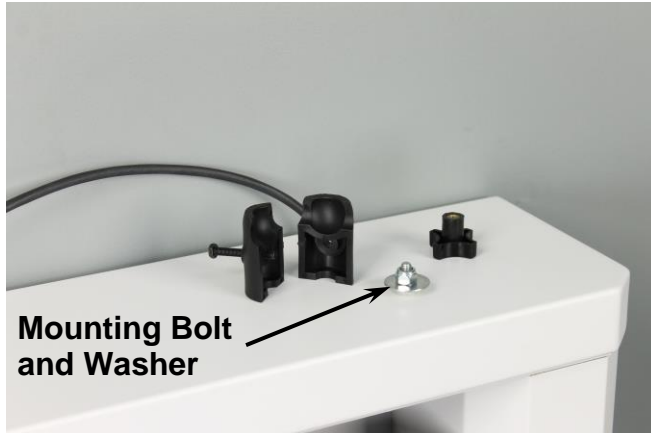


3. Center the scale side to side in the channel of the wall mount.



## Step 5 – Install the Weight Indicator

1. Remove the weight indicator from its box and unpack it. Obtain and install <sup>1</sup> six “C” batteries in the indicator.
2. Assemble the indicator swivel ball socket mount and then place it over the bolt and washer on the top right of the scale frame.



3. To install the indicator, slightly loosen the adjustment knob to allow the two parts of the socket to open enough to insert the rubber ball and place the rubber ball on the back of the indicator into the swivel ball socket mount. Tighten the adjustment knob slightly to secure the indicator for the next step.
4. Turn the indicator around (display away from you). Locate the 9-pin load cell connector on the back panel of the indicator. Align the long edge of the load cell cable connector with the long edge of the indicator connector. Place the load cell cable connector on the indicator connector and secure using the load cell cable retaining screws.
5. Adjust the indicator to the desired viewing angle and direction and then tighten the adjustment knob.

**<sup>1</sup> NOTE: For more detailed information on installing the batteries, connecting the load cell cable and mounting the weight indicator on the scale, refer to the MedVue Model MV1 Medical Weight Analyzer Owner’s Manual, 8555-M512-O1.**

## Step 6 – Scale Operation

1. With the weighing platform in the closed (stored) position, grasp the top edge of the platform and pull it down into the operating position.



2. With the weighing platform in the operating position, press the **ON/OFF** key to turn the indicator on.
3. When the indicator reads Zero, place the empty wheelchair on the weighing platform and TARE the wheelchair weight if desired.
4. Position the patient on the weighing platform by pulling the wheelchair onto the platform. **Do Not** push the wheelchair on or off the weighing platform.



**DANGER: Never PUSH the wheelchair onto or off the weighing platform! Always PULL the wheelchair onto and off the platform. Serious injury to the patient could occur! Do NOT leave a patient unattended while on the scale platform. Failure to maintain control of the patient and/or wheelchair at all times can result in serious injury to the patient.**



**Direction  
of Travel**

## Step 6 – Scale Operation, Cont.

5. Lock the wheelchair wheels.
6. When the weight reading is steady, record the patient's weight.
7. Remove the patient by pulling the wheelchair off the weighing platform. **Do Not** push the wheelchair off the weighing platform.
8. To return the weighing platform to the closed (stored) position, lift the platform up.



**Lift weighing platform up to return to the closed (stored) position.**



**Platform in closed (stored) position**

