

854F SERIES

PORTABLE BEAM SCALES



Model
854F100P

- 19 in W x 28 in D / 48 cm W x 71 cm D platform
- 5 in / 13 cm diameter rubolene wheels for maneuverability
- Die-cast weighbeam may be read from either side
- 5 different capacities available to choose from
- Constructed entirely of heavy-duty welded steel
- Electrostatic powder paint coating for long life



Ideal for weighing propane tanks and use in hazardous locations due to its mechanical design.

Suitable for environments that require intrinsically safe equipment and locations without access to electricity.

MECHANICAL WEIGHBEAM PORTABLE FLOOR SCALES

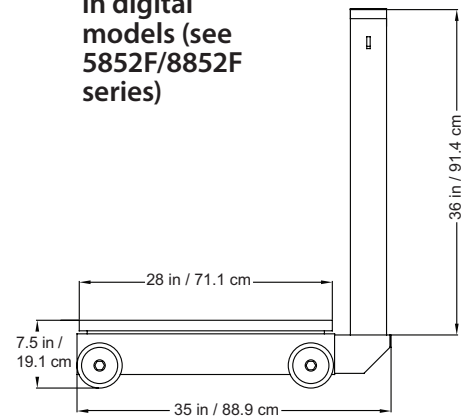
The ultimate in portability and durability

These legal-for-trade portable floor scales let the weighing come to you. They offer maintenance-free operation through their lever system and require no power to operate, providing years of trouble-free use in tough environments. The die-cast beam with easy-to-read numbers is viewable on the front and back. These scales are ideal for weighing propane tanks and use in hazardous locations due to their mechanical design.

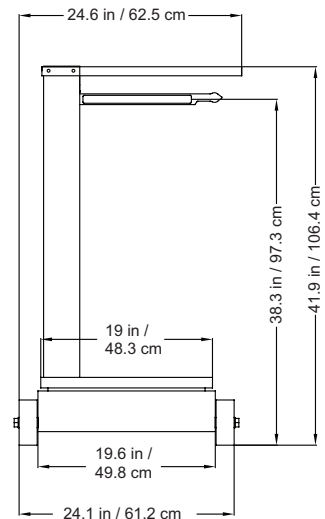
The 854F series is adaptable for versatile use in receiving departments, inventory management, commercial foodservice, in-plant weighing, material handling, bag filling, and general weighing applications. It is lightweight (116 lb / 53 kg net weight) and easy to maneuver with its four large rubolene wheels. The 854F series is suitable for environments that require intrinsically safe equipment and locations without access to electricity.



- NTEP and Measurement Canada certified
- Available in metric or avoirdupois (lb) or both
- Weights and hanger included
- Use in receiving, agriculture, warehousing, or general industrial weighing
- No power required for complete portability
- Also available in digital models (see 5852F/8852F series)



MODEL	854F100P	854F50P	854F50K	854F50PK	854F100PK
Capacity	1,000 lb	500 lb	500 kg	500 kg / 200 kg	1,000 lb / 500 kg
Front of Beam	100 lb x 1/2 lb	50 lb x 1/4 lb	50 kg x 1/4 kg	20 kg x 100 g	50 kg x 1/4 kg
Back of Beam	100 lb x 1/2 lb	50 lb x 1/4 lb	50 kg x 1/4 kg	50 lb x 1/4 lb	100 lb x 1/2 lb
Platform Dimensions	19 in W x 28 in D / 48 cm W x 71 cm D				
Overall Dimensions	24.1 in W x 35 in D x 41.9 in H / 61.2 cm W x 88.9 cm D x 106.4 cm H				
Platform, Base, and Column	Mild steel with gray and black powder coat paint				
Wheels	5 in / 13 cm diameter x 2 in / 5 cm depth rubolene with 550 lb load rating				
Net Weight	116 lb / 53 kg				
Shipping Weight	125 lb / 57 kg				
Certifications	NTEP (CC 88-106) Measurement Canada (S.WA-4097)				
Country of Origin	USA				
UPC Code	809161114201	809161114300	809161114409	809161114508	809161114607



DETECTO reserves the right to improve, enhance, or modify features and specifications without prior notice.



102 E. Daugherty, Webb City, MO 64870 USA
Ph: 417-673-4631 or 1-800-641-2008 Fax: 417-673-2153

SOLD BY: