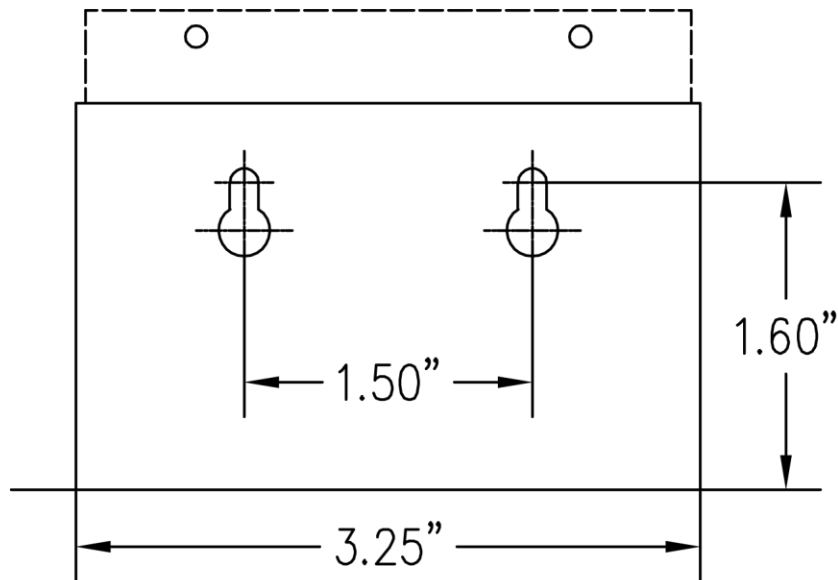




**APEX-RI / APEX-RI-BT
Remote Indicator Mounting Bracket Template**



- **This template is full scale (1:1) and must be printed on Letter (8.5 x 11") paper.**
- **Make sure to select "Page Scaling: None" when printing.**

If you have questions about using this template, mounting the apex® remote indicator or need any other technical help, please contact DETECTO's Technical Support team by e-mailing tech@cardet.com or calling 1-866-254-8261.