

# CB6

## Sealed Bending Beam Stainless Steel Load Cells

- **10 to 200 kg capacities**
- **Excellent price-to-performance ratio**
- **Proven bending beam design**
- **Stainless steel construction**
- **NTEP or OIML certified** (CB6-10KG is not NTEP)
- **Environmentally protected to IP68**

The CB6 is a high performance, sealed bending beam load cell for use in low profile platforms, flexure bases, hanging scales, scale conversions, hopper and packaging scales, and a variety of other medical, industrial, and process weighing applications.

The CB6 is easy to install and use and is interchangeable with most other load cells of its type. Stainless steel construction and welded bellows seals are critical components making the CB6 ideally suited for use in harsh and corrosive environments and where routine washdowns occur.



### MECHANICAL DATA

|   |                             |
|---|-----------------------------|
| <b>Rated Capacity, (R.C.) E<sub>max</sub></b> | 10, 20, 50, 100, and 200 kg |
| <b>Minimum Dead Load</b>                      | 0 kg                        |
| <b>Safe Load Limit</b>                        | 150% R.C.                   |
| <b>Ultimate Load</b>                          | 300% R.C.                   |
| <b>Deflection at R.C.</b>                     | 0.2 to 0.64 mm              |
| <b>Spring Element Material</b>                | 17-4 PH                     |
| <b>Net Weight</b>                             | 0.4 kg                      |

### CERTIFICATE DATA

|  |                                  |
|--|----------------------------------|
| <b>Issuing Body</b>  | NTEP / OIML                      |
| <b>Certificate Number</b>                                      | 96-091 / R60/1991-DK-96.04       |
| <b>Accuracy Class</b>  | III / C3                         |
| <b>Maximum Number of Load Cell Intervals, n<sub>max</sub></b>  | 4,000 / 3,000                    |
| <b>Single/Multiple</b>   | S                                |
| <b>Humidity Symbol</b>   | CH                               |
| <b>Minimum Load Cell Verification Interval V<sub>min</sub></b> | 001, .002, .005, .01, and .02 kg |

### ELECTRICAL DATA

|  |                         |
|--|-------------------------|
| <b>Rated Output</b>                    | 2 ± 10% mV/V            |
| <b>Excitation Voltage, Recommended</b> | 10 VDC                  |
| <b>Excitation Voltage, Maximum</b>     | 15 VDC                  |
| <b>Cable Length</b>                    | 3 m                     |
| <b>Terminal Resistance</b>             |                         |
| Excitation                             | 400 ± 20 ohms           |
| Signal                                 | 350 ± 5.25 ohms         |
| <b>Zero Load Output</b>                | ± 1% R.C.               |
| <b>Insulation Resistance</b>           | >5000 megohms at 50 VDC |

### ENVIRONMENTAL DATA

|   |                 |
|---|-----------------|
| <b>Temperature Compensation Range</b>                 | -10 to +40°C    |
| <b>Operating Temperature Range</b>                    | -29 to +93°C    |
| <b>Construction &amp; Protection Code</b>             | IP68            |
| <b>Barometric Pressure Effect on Zero Load Output</b> | <1 v (min)/1kPa |

LOAD CELL

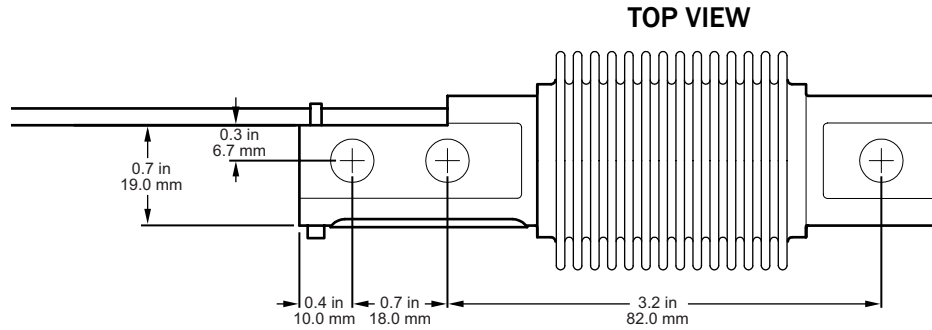
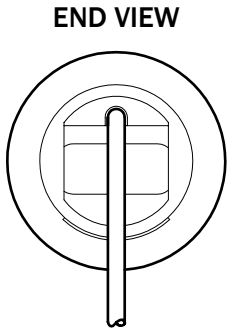
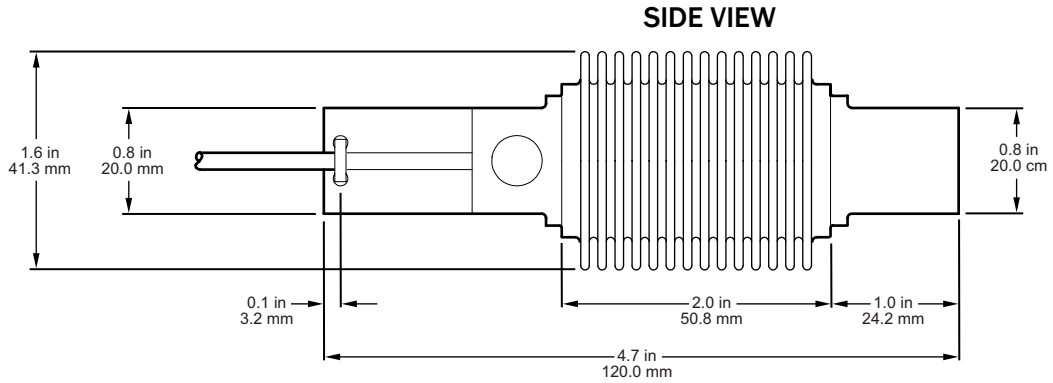
**CB6**

# CB6

**Sealed Bending Beam  
Stainless Steel Load Cells**

## Models/Capacities

**CB6-10KG: 10 KG | CB6-20KG: 20 KG  
CB6-50KG: 50 KG | CB6-100KG: 100 KG  
CB6-200KG: 200 KG**



### ELECTRICAL INFORMATION



### State-of-the-Art Load Cell Manufacturing Facility ISO 9001 Quality Environment



### CERTIFICATIONS

Standard CB6-20kg to CB6-200kg meets all the requirements for NTEP: S, III, 4000. Standard CB6-10kg to CB6-200kg meets the requirements for OIML: C3. CB6-10kg to CB6-200kg are optionally available to meet the requirements for OIML: C4, NTEPCC does not apply to CB6-10.



### VCAP CERTIFIED

Cardinal Scale has been formally audited and found to be fully compliant with the Verified Conformity Assessment Program (VCAP) administered by the National Type Evaluation Program (NTEP) of the National Conference on Weights and Measures (NCWM).

Cardinal Scale reserves the right to improve, enhance or modify features and specifications without prior notice. All registered trademarks are the property of their respective owners.

**Cardinal**  
Cardinal Scale Manufacturing Co.  
102 E. Daugherty, Webb City, MO 64870 USA  
Ph: 417-673-4631 or 800-441-4237 • Fax: 2153  
[www.CardinalScale.com](http://www.CardinalScale.com)

**SOLD BY:**

