



# CLDB Series

## CenterPoint Stainless Steel Double-Ended Shear Beam Load Cells



**CenterPoint**  
SELF-CHECKING SHEAR BEAM STANDS



Cardinal Scale's CenterPoint stainless steel load cells are heavy-capacity double-ended shear beam cells with center load design. They are a direct replacement for competitive load cells, and can be used in a variety of applications, including heavy-duty tank weighing systems. Capacities range from 2,500 to 50,000 lbs. Each load cell is furnished with a 30 ft / 9 m integral multi-conductor cable secured by strain relief.

- **Stainless steel construction**
- **2,500 lb to 50,000 lb capacities**
- **30 ft / 9 m cable with strain relief**
- **Environmentally-sealed (IP67)**
- **Direct replacement for competitive load cells**
- **Also available in floor stand kits for tank/hopper weighing**

### MECHANICAL DATA

<b>Rated Capacity, (R.C.) E<sub>max</sub></b>	2,500 lb / 1,135 kg 5,000 lb / 2,270 kg 10,000 lb / 4,535 kg 20,000 lb / 9,075 kg 30,000 lb / 13,610 kg 50,000 lb / 22,680 kg
<b>Minimum Dead Load</b>	1/2% R.C.
<b>Safe Load Limit</b>	150% R.C.

### ELECTRICAL DATA

<b>Rated Output</b>	3 ± 0.1% mV/V
<b>Excitation Voltage, Maximum</b>	15 VDC
<b>Cable Length</b>	30 ft / 9 m
<b>Terminal Resistance</b>	
Excitation	804 ± 40 ohms
Signal	701 ± 10 ohms
<b>Zero Load Output</b>	± 1% R.C.
<b>Insulation Resistance</b>	>5000 megohms at 50 VDC

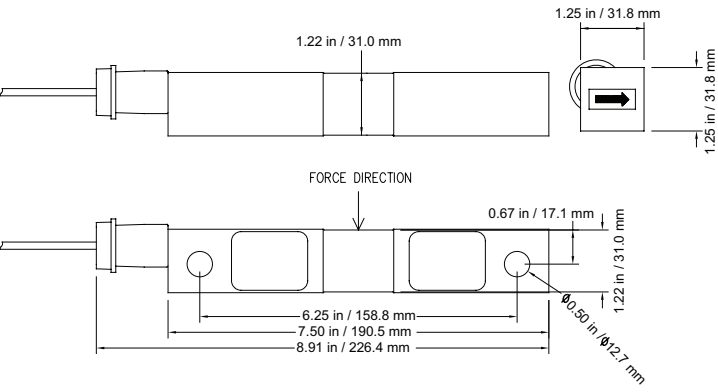
### ENVIRONMENTAL DATA

<b>Temperature Compensation Range</b>	-10° to +40°C
<b>Operating Temperature Range</b>	-20° to +50°C
<b>Construction &amp; Protection Code</b>	IP67

SCALE  
CELLS  
LOAD  
CELLS

# CLDB

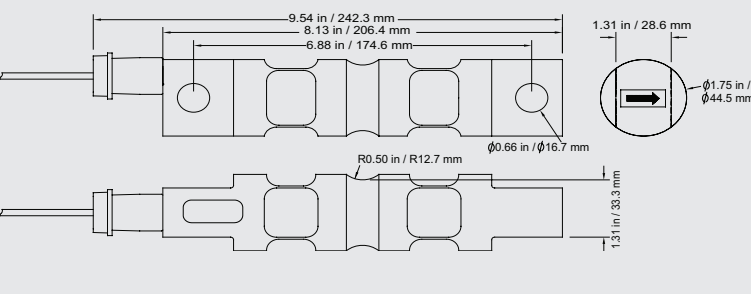
**CLDB2.5K - 2,500 lb / CLDB5K - 5,000 lb**



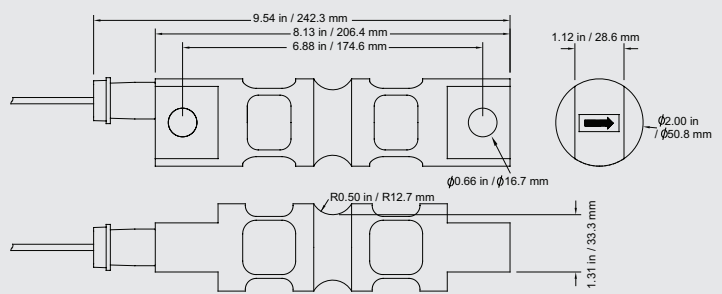
# CLDB Series

## CenterPoint Stainless Steel Double-Ended Shear Beam Load Cells

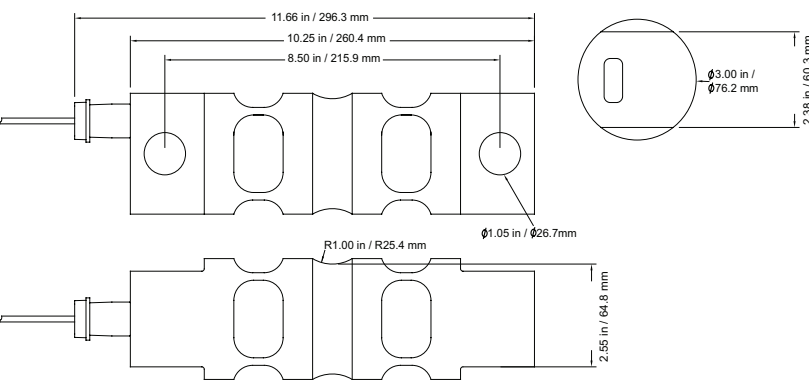
**CLDBR5K - 5,000 lb / CLDBR10K - 10,000 lb**



**CLDBR20K - 20,000 lb**

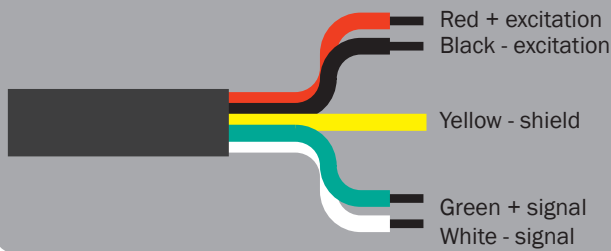


**CLDBR30K - 30,000 lb / CLDBR50K - 50,000 lb**



Model	Shape	Lb Capacity	Kg Capacity	Shipping Weight
CLDB2.5K	Square	2,500 lb	1,135 kg	3.5 lb
CLDB5K	Square	5,000 lb	2,270 kg	3.5 lb
CLDBR5K	Round	5,000 lb	2,270 kg	5.5 lb
CLDBR10K	Round	10,000 lb	4,535 kg	5.5 lb
CLDBR20K	Round	20,000 lb	9,075 kg	5.5 lb
CLDBR30K	Round	30,000 lb	13,610 kg	20.5 lb
CLDBR50K	Round	50,000 lb	22,680 kg	20.5 lb

**ELECTRICAL INFORMATION**



**State-of-the-Art Load Cell Manufacturing Facility**  
**ISO 9001 Quality Environment**



**CERTIFICATION**

**VCAP CERTIFIED**  
Cardinal Scale has been formally audited and found to be fully compliant with the Verified Conformity Assessment Program (VCAP) administered by the National Type Evaluation Program (NTEP) of the National Conference on Weights and Measures (NCWM).

Cardinal Scale reserves the right to improve, enhance or modify features and specifications without prior notice. All registered trademarks are the property of their respective owners.



102 East Daugherty St., Webb City, MO 64870 USA  
Toll-Free: (800) 441-4237 E-mail: cardinal@cardet.com  
www.CardinalScale.com

**SOLD BY:**

