



CenterPoint

SELF-CHECKING SHEAR BEAM STANDS

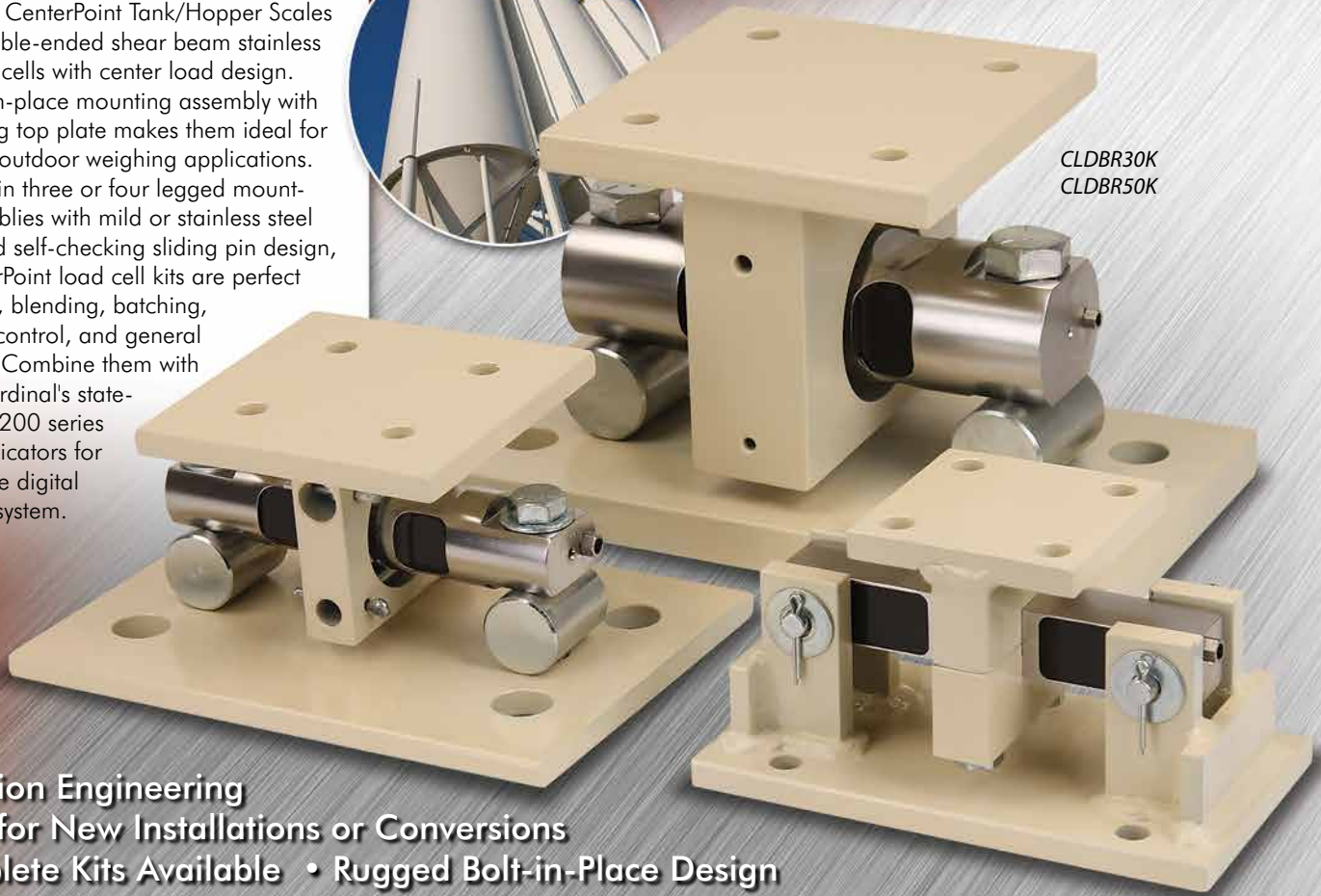
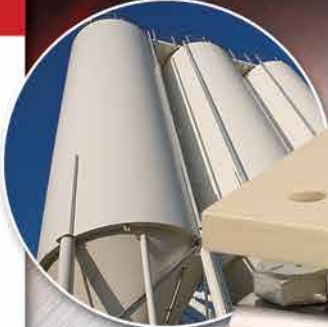
- Tanks
- Bins
- Hoppers

*Cardinal model
CLDBR10K-3
shown here*

***Light to Heavy Capacity
Mounting Assemblies***

- Stainless Steel Load Cells • Self-Checking, Low-Profile Stands
- Center Load Design • Environmentally-Sealed • Bolts Directly to Floor and Tank

Cardinal's CenterPoint Tank/Hopper Scales utilize double-ended shear beam stainless steel load cells with center load design. The bolt-in-place mounting assembly with articulating top plate makes them ideal for indoor or outdoor weighing applications. Available in three or four legged mounting assemblies with mild or stainless steel stands and self-checking sliding pin design, the CenterPoint load cell kits are perfect for mixing, blending, batching, inventory control, and general weighing. Combine them with one of Cardinal's state-of-the-art 200 series weight indicators for a complete digital weighing system.



CLDBR30K
CLDBR50K

CLDBR5K
CLDBR10K
CLDBR20K

- Precision Engineering
- Ideal for New Installations or Conversions
- Complete Kits Available • Rugged Bolt-in-Place Design

CLDB2.5K
CLDB5K

Stainless Steel CenterPoint Load Cells



CLDBR30K /
CLDBR50K



CLDBR5K /
CLDBR10K / CLDBR20K



CLDB2.5K / CLDB5K

CLDB LOAD CELLS | Center-Load Double-Ended Shear Beam

| MODEL | SHAPE | CONSTRUCTION | CAPACITY | SHIPPING WEIGHT |
|----------|---------|-----------------|-----------------------|-----------------|
| CLDB2.5K | Square | Stainless Steel | 2,500 lb / 1,135 kg | 3.5 lb / 1.5 kg |
| CLDB5K | Square | Stainless Steel | 5,000 lb / 2,270 kg | 3.5 lb / 1.5 kg |
| CLDBR5K | Rounded | Stainless Steel | 5,000 lb / 2,270 kg | 5.5 lb / 2.5 kg |
| CLDBR10K | Rounded | Stainless Steel | 10,000 lb / 4,535 kg | 5.5 lb / 2.5 kg |
| CLDBR20K | Rounded | Stainless Steel | 20,000 lb / 9,070 kg | 5.5 lb / 2.5 kg |
| CLDBR30K | Rounded | Stainless Steel | 30,000 lb / 13,605 kg | 20.5 lb / 9 kg |
| CLDBR50K | Rounded | Stainless Steel | 50,000 lb / 22,700 kg | 20.5 lb / 9 kg |



Weighing capacities available ranging from 2,500 to 50,000 lb / 1,135 to 22,700 kg.

| | |
|--------------------------|-----------------------|
| Rated Output: | 3mV/V |
| Combined Error: | 0.03% of rated output |
| Protection Class: | IP68 |
| Cable Length: | 30 feet / 9 meter |
| Construction: | Stainless Steel |



CenterPoint

SELF-CHECKING SHEAR BEAM STANDS

CenterPoint load cell kits contain either 3 or 4 stand assemblies, corresponding number of stainless steel load cells with 30 ft / 9 m of load cell cable, and 1 stainless steel junction box.

3 LOAD CELL SYSTEMS | Mild Steel Stands

| MODEL | CELL SHAPE | CELL CONSTRUCTION | CELL CAPACITY | SYSTEM CAPACITY | SHIPPING WEIGHT |
|------------|------------|-------------------|-----------------------|------------------------|-----------------|
| CLDB2.5K-3 | Square | Stainless Steel | 2,500 lb / 1,135 kg | 7,500 lb / 3,405 kg | 67 lb / 30 kg |
| CLDB5K-3 | Square | Stainless Steel | 5,000 lb / 2,270 kg | 15,000 lb / 6,810 kg | 67 lb / 30 kg |
| CLDBR5K-3 | Rounded | Stainless Steel | 5,000 lb / 2,270 kg | 15,000 lb / 6,810 kg | 94 lb / 43 kg |
| CLDBR10K-3 | Rounded | Stainless Steel | 10,000 lb / 4,535 kg | 30,000 lb / 13,605 kg | 94 lb / 43 kg |
| CLDBR20K-3 | Rounded | Stainless Steel | 20,000 lb / 9,070 kg | 60,000 lb / 27,210 kg | 94 lb / 43 kg |
| CLDBR30K-3 | Rounded | Stainless Steel | 30,000 lb / 13,605 kg | 90,000 lb / 40,824 kg | 343 lb / 156 kg |
| CLDBR50K-3 | Rounded | Stainless Steel | 50,000 lb / 22,700 kg | 150,000 lb / 68,040 kg | 343 lb / 156 kg |

3 LOAD CELL SYSTEMS | Stainless Steel Stands

| MODEL | CELL SHAPE | CELL CONSTRUCTION | CELL CAPACITY | SYSTEM CAPACITY | SHIPPING WEIGHT |
|-------------|------------|-------------------|-----------------------|------------------------|-----------------|
| CLDBS2.5K-3 | Square | Stainless Steel | 2,500 lb / 1,135 kg | 7,500 lb / 3,405 kg | 67 lb / 30 kg |
| CLDBS5K-3 | Square | Stainless Steel | 5,000 lb / 2,270 kg | 15,000 lb / 6,810 kg | 67 lb / 30 kg |
| CLDBRS5K-3 | Rounded | Stainless Steel | 5,000 lb / 2,270 kg | 15,000 lb / 6,810 kg | 94 lb / 43 kg |
| CLDBRS10K-3 | Rounded | Stainless Steel | 10,000 lb / 4,535 kg | 30,000 lb / 13,605 kg | 94 lb / 43 kg |
| CLDBRS20K-3 | Rounded | Stainless Steel | 20,000 lb / 9,070 kg | 60,000 lb / 27,210 kg | 94 lb / 43 kg |
| CLDBRS30K-3 | Rounded | Stainless Steel | 30,000 lb / 13,605 kg | 90,000 lb / 40,824 kg | 343 lb / 156 kg |
| CLDBRS50K-3 | Rounded | Stainless Steel | 50,000 lb / 22,700 kg | 150,000 lb / 68,040 kg | 343 lb / 156 kg |

4 LOAD CELL SYSTEMS | Mild Steel Stands

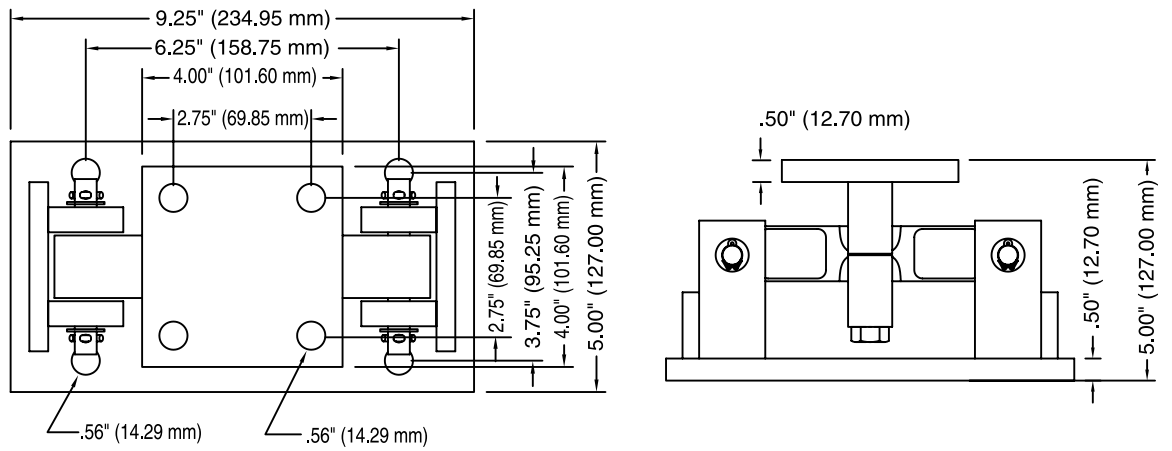
| MODEL | CELL SHAPE | CELL CONSTRUCTION | CELL CAPACITY | SYSTEM CAPACITY | SHIPPING WEIGHT |
|------------|------------|-------------------|-----------------------|------------------------|-----------------|
| CLDB2.5K-4 | Square | Stainless Steel | 2,500 lb / 1,135 kg | 10,000 lb / 4,540 kg | 87 lb / 39 kg |
| CLDB5K-4 | Square | Stainless Steel | 5,000 lb / 2,270 kg | 20,000 lb / 9,080 kg | 87 lb / 39 kg |
| CLDBR5K-4 | Rounded | Stainless Steel | 5,000 lb / 2,270 kg | 20,000 lb / 9,080 kg | 124 lb / 56 kg |
| CLDBR10K-4 | Rounded | Stainless Steel | 10,000 lb / 4,535 kg | 40,000 lb / 18,140 kg | 124 lb / 56 kg |
| CLDBR20K-4 | Rounded | Stainless Steel | 20,000 lb / 9,070 kg | 80,000 lb / 36,280 kg | 124 lb / 56 kg |
| CLDBR30K-4 | Rounded | Stainless Steel | 30,000 lb / 13,605 kg | 120,000 lb / 54,420 kg | 456 lb / 207 kg |
| CLDBR50K-4 | Rounded | Stainless Steel | 50,000 lb / 22,700 kg | 200,000 lb / 90,800 kg | 456 lb / 207 kg |

4 LOAD CELL SYSTEMS | Stainless Steel Stands

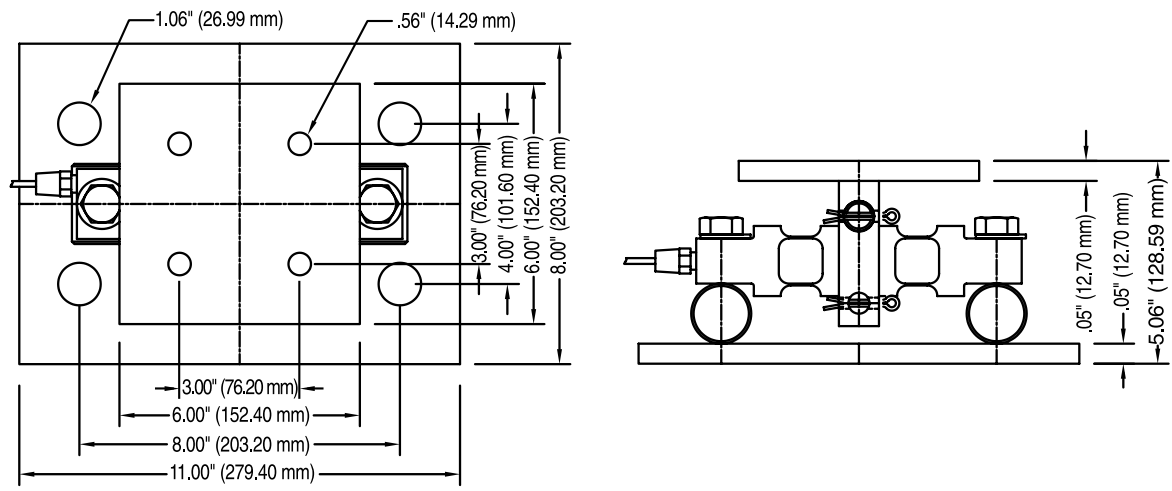
| MODEL | CELL SHAPE | CELL CONSTRUCTION | CELL CAPACITY | SYSTEM CAPACITY | SHIPPING WEIGHT |
|-------------|------------|-------------------|-----------------------|------------------------|-----------------|
| CLDBS2.5K-4 | Square | Stainless Steel | 2,500 lb / 1,135 kg | 10,000 lb / 4,540 kg | 87 lb / 39 kg |
| CLDBS5K-4 | Square | Stainless Steel | 5,000 lb / 2,270 kg | 20,000 lb / 9,080 kg | 87 lb / 39 kg |
| CLDBRS5K-4 | Rounded | Stainless Steel | 5,000 lb / 2,270 kg | 20,000 lb / 9,080 kg | 124 lb / 56 kg |
| CLDBRS10K-4 | Rounded | Stainless Steel | 10,000 lb / 4,535 kg | 40,000 lb / 18,140 kg | 124 lb / 56 kg |
| CLDBRS20K-4 | Rounded | Stainless Steel | 20,000 lb / 9,070 kg | 80,000 lb / 36,280 kg | 124 lb / 56 kg |
| CLDBRS30K-4 | Rounded | Stainless Steel | 30,000 lb / 13,605 kg | 120,000 lb / 54,420 kg | 456 lb / 207 kg |
| CLDBRS50K-4 | Rounded | Stainless Steel | 50,000 lb / 22,700 kg | 200,000 lb / 90,800 kg | 456 lb / 207 kg |

CENTERPOINT STAND DIMENSIONS

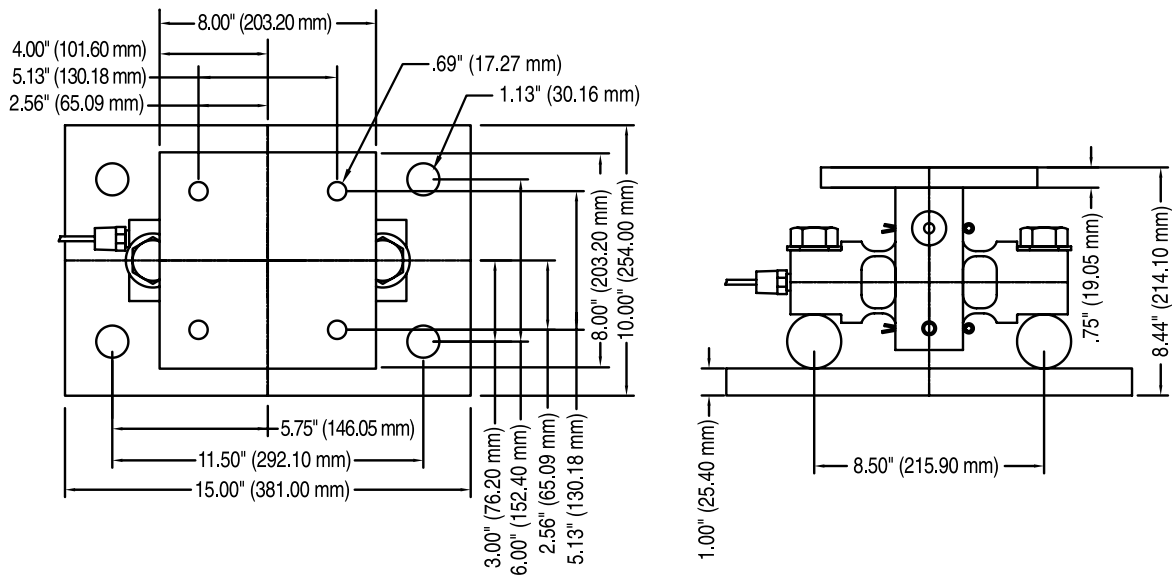
CLDB 2.5K / 5K



CLDBR 5K / 10K / 20K



CLDBR 30K / 50K



Cardinal Scale reserves the right to improve, enhance or modify features and specifications without prior notice. All registered trademarks are the property of their respective owners.

Cardinal
 Cardinal Scale Manufacturing Co.
 203 E. Daugherty, Webb City, MO 64870 USA
 Pb: 417-673-4631 or 800-441-4237 • Fax: 417-673-5001
 www.CardinalScale.com

SOLD BY:

