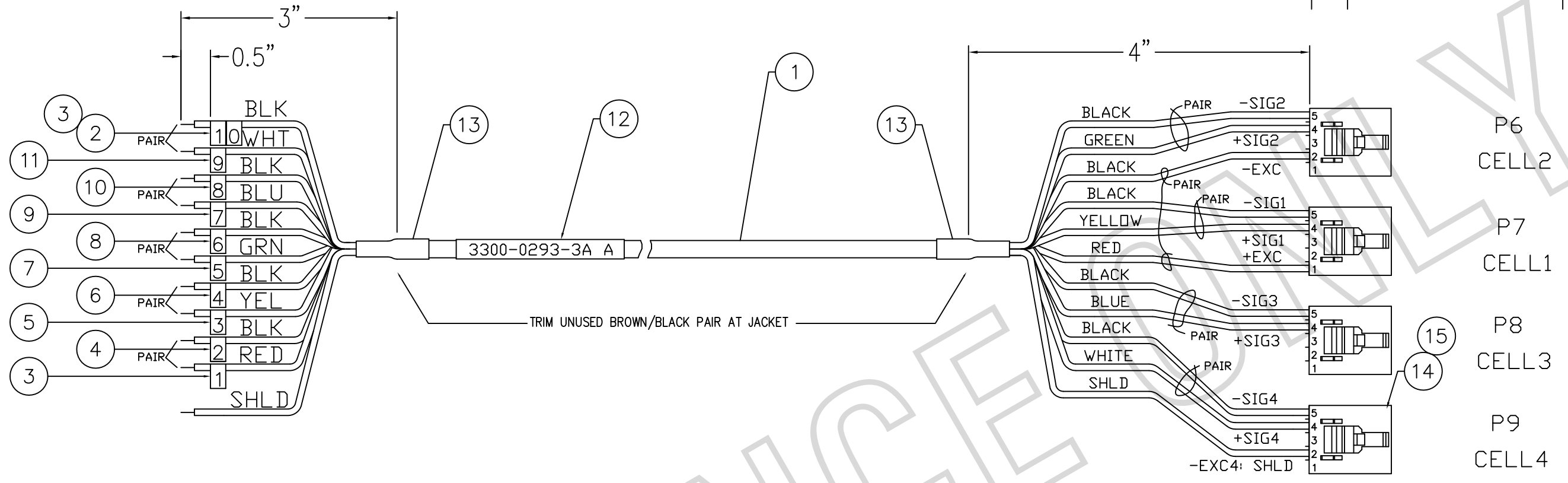
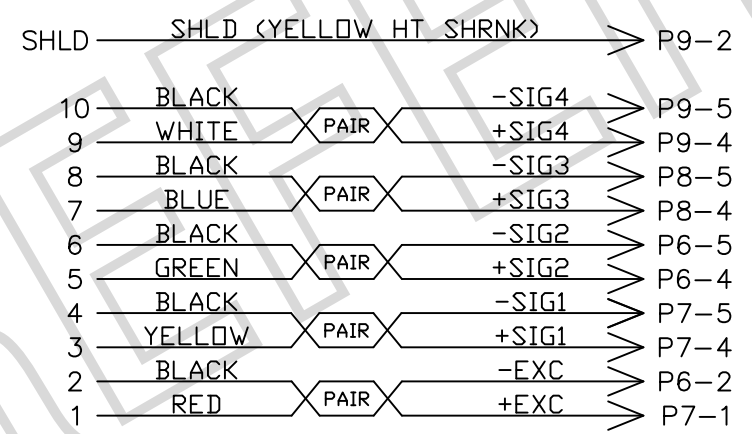


REVISION RECORD			
LTR	DESCRIPTION	DATE	BY
A	RELEASE TO PRODUCTION	9/19/18	29128 EMJ




NOTE:
1. STRIP EACH WIRE .25 AND TIN.



11	15	6610-5182	TERMINAL, FEMALE	
4	14	6610-5181	CONNECTOR, 5 PIN	FEMALE
.083'	13	6980-0114	HEAT SHRINK	
1	12	6650-0078	LABEL	
.028	11	6980-0149	WIRE MARKER 9	
.028	10	6980-0148	WIRE MARKER 8	
.028	9	6980-0147	WIRE MARKER 7	
.028	8	6980-0146	WIRE MARKER 6	
.028	7	6980-0145	WIRE MARKER 5	
.028	6	6980-0144	WIRE MARKER 4	
.028	5	6980-0143	WIRE MARKER 3	
.028	4	6980-0142	WIRE MARKER 2	
.056	3	6980-0141	WIRE MARKER 1	
.028	2	6980-0140	WIRE MARKER 0	
10.0'	1	6980-0326	CABLE	6 PAIR, 24 GA SHIELDED

QTY.	QTY.	QTY.	ITEM	PART/DWG. NUMBER	DESCRIPTION	MATERIAL OR SOURCE	WT. EACH
			-3A	ASSY			

PARTS/MATERIAL LIST							
UNLESS OTHERWISE SPECIFIED TOLERANCE ON DIMENSIONS ARE: ANGLES ± 1/2° INTEGERS/FRACTIONS ± 1/16 IN. DECIMALS (.X) ± .03 IN. DECIMALS (.XX) ± .01 IN. DECIMALS (.XXX) ± .005 IN. NOTE: WHOLE NUMBERS MUST BE WRITTEN XX.000 TO INVOKE DECIMAL TOLERANCES.				 CARDINAL DETECTO FULLER WEIGHING SYSTEMS WEBB CITY, MISSOURI, USA 64870			
TITLE: DIALYSIS LOAD CELL CABLE							
SCALE: N.T.S.		DO NOT SCALE DRAWING		NEXT ASSEMBLY			
DR. bs		DATE 7/10/18		C			
CH.		DATE		MODEL		DWG. NO. 3300-0293-3A	
ID-		SHEET 1 OF 1		REV. A			