

# DETECTO®

## IB series IN-BED SCALES



Detecto  
Model IBFL500  
Portable In-Bed  
Patient Scale with  
Fixed Base

- Hydraulic lift mechanism eases lifting
- Two models to choose from
- RS232 serial connectivity: EMR / EHR ready
- Stretcher carrying strap and "easy stow" hoops

FOR BED-BOUND PATIENTS



## MOBILE MEDICAL WEIGHING



The model 750 digital weight indicator for Detecto's IB series in-bed scales features EMR/EHR-ready serial connectivity, Body Mass Index calculation, LOCK/RELEASE key for weight retention, and large 0.75-in/19-mm high LCD digits for big, bold readouts. The scale is powered by 6 AA batteries (not included) or optional AC adapter.



### Full-Swivel Ball Bearing Casters

Shown here on the model IBFL500 with fixed legs, the rolling casters feature a rear locking pair for security during weighing.



### Hydraulic Lift Eases Patient Lifting

Detecto's IB scales feature hydraulic lift mechanisms for fast, easy and efficient weighing of bedridden non-ambulatory patients.



### Scale Connectivity for Patient Records

Detecto's IB series has the ability to interface with a computer, monitor, printer or other electronic device via RS232 serial connectivity for fast and easy data transfer.



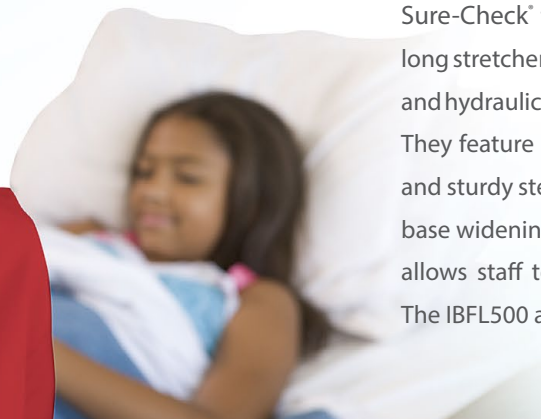
### Self-Contained Mobile Patient Weighing

Integral stretcher carrying straps and cup plus "easy stow" hoops make the IB series ready for transport. Replacement stretchers are also available.



## QUALITY CONSTRUCTION

**Detecto's digital in-bed scales feature** Sure-Check<sup>®</sup> flame-retardant, anti-bacterial 6 ft / 1.8 m long stretchers which are placed underneath the patient and hydraulically lifted inches from the bed for weighing. They feature locking casters, adjustable weighing arm, and sturdy steel construction. The model IB800 features base widening stance for added stability. The ZERO key allows staff to easily subtract the weight of bedding. The IBFL500 and IB800 are not for patient transport.





**MODEL IB800**

**800 lb/350 kg capacity**

Fits through 32 in / 81 cm doorways

– Adjustable Base –

**IB** series  
**IN-BED  
SCALES**



**MODEL IBFL500**

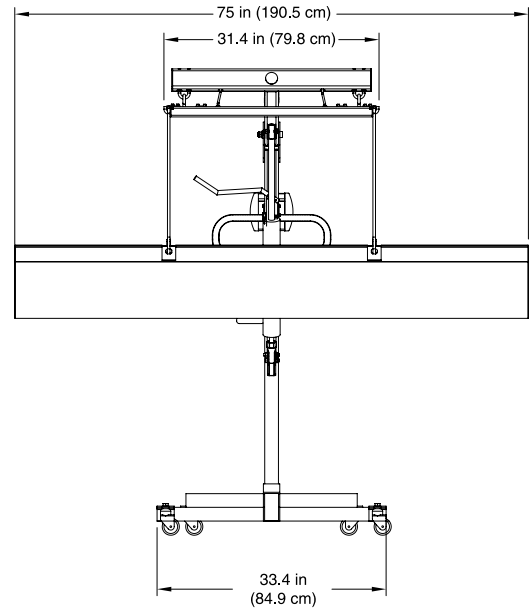
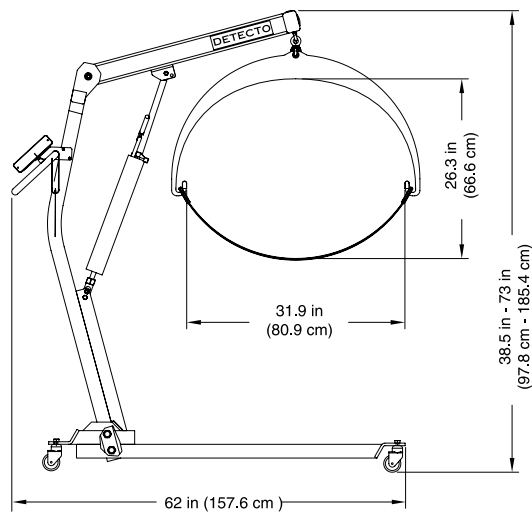
**500 lb/225 kg capacity**

Fits through 36 in / 91 cm doorways

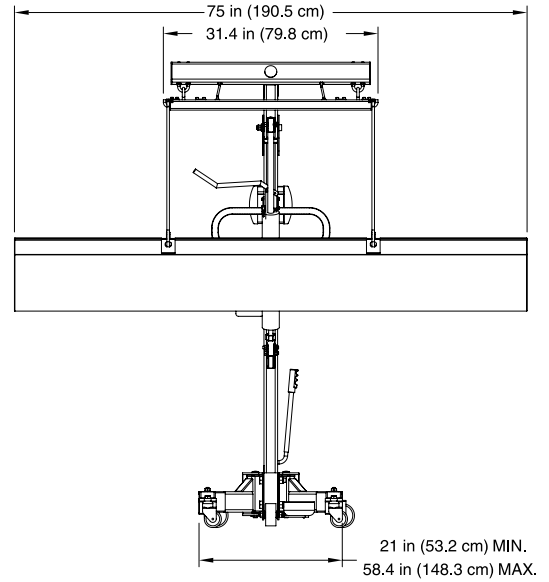
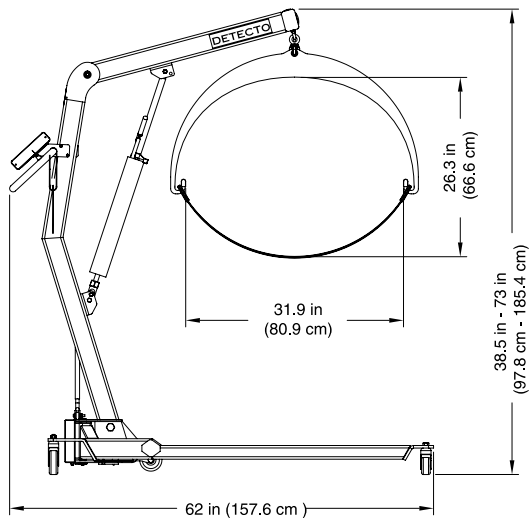
– Fixed Base –

**DETECTO**<sup>®</sup>

**IBFL500**



**IB800**



MODEL	IBFL500	IB800
Capacity	500 lb x 0.1 lb / 225 kg x 0.1 kg	800 lb x 0.2 lb / 350 kg x 0.1 kg
Base	Fixed	Adjustable
Door Width Clearance	Fits through 36 in / 91 cm	Fits through 32 in / 81 cm
Shipping Weight	207 lb / 94 kg	400 lb / 181 kg
Under Bed Clearance	4.8 in / 12 cm	
Stretcher	72 in / 180 cm Sure-Check® 44XL fabric	
Lift Mechanism	Hydraulic	
Power	6 AA Alkaline, Ni-Cad or NiMH batteries (not included) or optional 100 to 240 VAC 50/60Hz 12 VDC 1A wall plug-in UL/CSA listed AC adapter (model number 6800-1045)	

*Detecto Scale reserves the right to improve, enhance, or modify features and specifications without prior notice.*



102 East Daugherty St., Webb City, MO 64870 USA  
 Toll-Free: (800) 641-2008 E-mail: detecto@cardet.com  
 www.Detecto.com

**Sold By:**

