








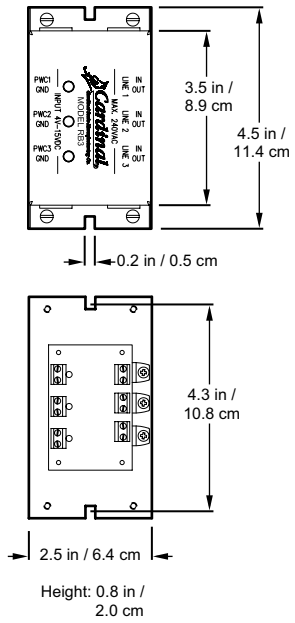
# RELAY OPTIONS CONFIGURATION GUIDE

Model	Enclosure Type	Device Type	AC/DC		Input/Output		Channels	Voltage	Maximum Load Current	Logic Voltage	Indicator Compatibility								
			AC	DC	Input	Output					200	201	210	210-FE	225	825			
<b>RELAY BOX</b> RB3		Painted Steel	Fixed output	•			•	3	20-280 VAC	3 amps	4V-15VDC	•	•	•	•	•	•		
				•			•	9	20-280 VAC	3 amps	4V-15VDC	•	•	•	•	•	•	•	
<b>EXTERNAL RELAY BOX</b>		Stainless Steel Waterproof	4 x 6850-0109*	•	•	•		4	90-140 VAC/DC		4.5-6	•	•	•	•	•	•		
			4 x 6850-1013*	•			•	4	24-280 VAC	3 amps	2.5-8	•	•	•	•	•	•	•	
			4 x 6850-0110*	•	•	•		4	10-32 VAC/DC		4.5-6	•	•	•	•	•	•	•	
			4 x 6850-0063*		•		•		4	5-60 VDC	3 amps	2.5-8	•	•	•	•	•	•	•
			4 x 6850-0108*	•	•	•		4	180-280 VAC/DC		4.5-6	•	•	•	•	•	•	•	•
			8 x 6850-0109**	•	•	•		8	90-140 VAC/DC		4.5-6	•	•	•	•	•	•	•	•
			8 x 6850-1013**	•			•	8	24-280 VAC	3 amps	2.5-8	•	•	•	•	•	•	•	•
			8 x 6850-0108**	•	•	•		8	180-280 VAC/DC		4.5-6	•	•	•	•	•	•	•	•
			Configurable***					8	Input or Output			•	•	•	•	•	•	•	•
			RB4C		Stainless Steel Waterproof	Fixed: Form C	AC or DC				4	24-280 VAC/DC	3 amps	5-12VDC	•	•	•	•	•

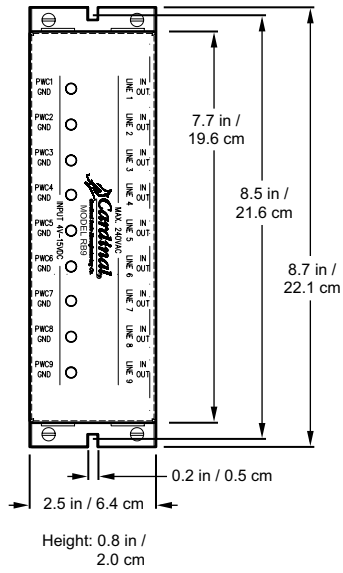
\* Standard with the 4 modules listed: may be reconfigured with 4 input or output modules.  
 \*\* Standard with the 8 modules listed: may be reconfigured with 8 input or output modules.  
 \*\*\* Can accept any combination of 8 of the input or output plug-in modules below.

Model	Standard Part Number	AC/DC		Input/Output		Channels	Voltage	Maximum Load Current	Logic Voltage	Indicator Compatibility							
		AC	DC	Input	Output					200	201	210	210-FE	225	825		
<b>PLUG-IN MODULES</b>	6850-1013		OAC5A, Normally Open		•		•	1	24-280 VAC	3 amps	2.5-8	•	•	•	•	•	•
	6850-1014		OAC5A5, Normally Closed		•		•	1	24-280 VAC	3 amps	2.5-8	•	•	•	•	•	•
	6850-1022		OAC15A		•		•	1	24-280 VAC	3 amps	9.0-16						•
6850-0063		ODC5			•	•	1	5-60 VDC	3 amps	2.5-8	•	•	•	•	•	•	
6850-1025		ODC15			•	•	1	5-60 VDC	3 amps	9.0-16						•	
6850-0109		IAC5		AC or DC	•		1	90-140 VAC/DC		4.5-6	•	•	•	•	•	•	
6850-0108		IAC5A		AC or DC	•		1	180-280 VAC/DC		4.5-6	•	•	•	•	•	•	
6850-1023		IAC15		AC or DC	•		1	90-140 VAC/DC		12.0-18						•	
6850-0110		IDC5		AC or DC	•		1	10-32 VAC/DC		4.5-6	•	•	•	•	•	•	
6850-1024		IDC15		AC or DC	•		1	10-32 VAC/DC		12.0-18						•	

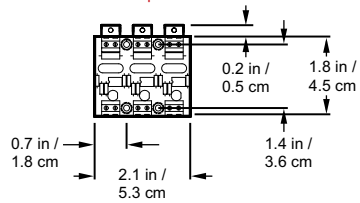
### RB3



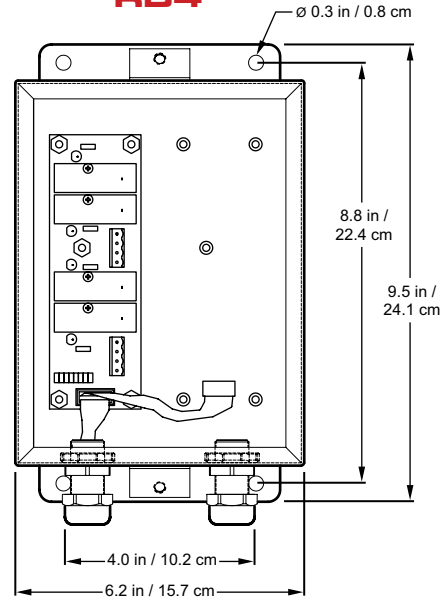
### RB9



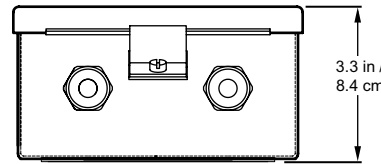
### Relay Board RB3 | RB9



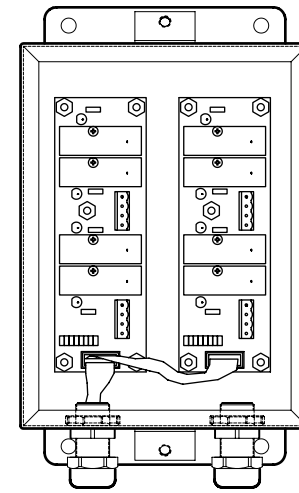
### RB4



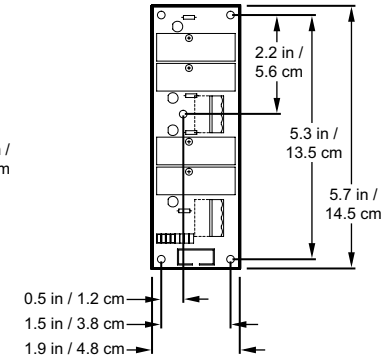
### Side View RB4 | RB8 | RB8-OPTO



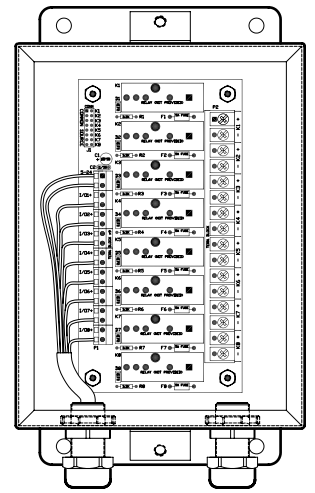
### RB8



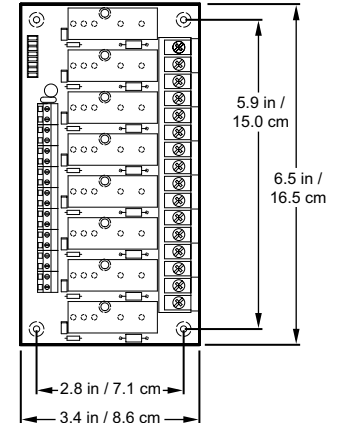
### Relay Board RB4 | RB8



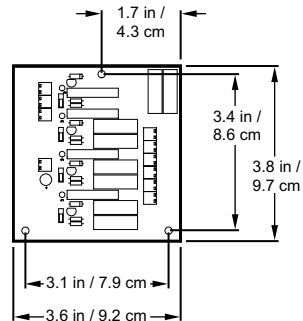
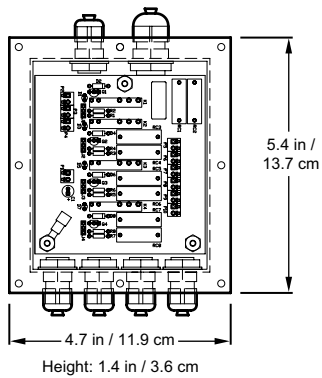
### RB8-OPTO



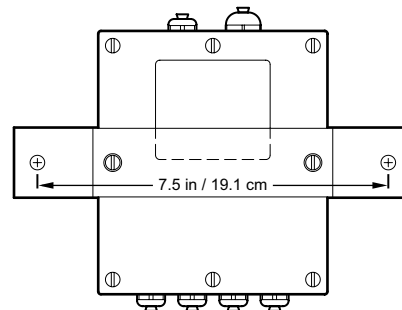
### Relay Board RB8-OPTO



### RB4C



### Mounting Strap



**Cardinal**  
Cardinal Scale Manufacturing Co.  
203 E. Daugherty, Webb City, MO 64870 USA  
Ph: 417-673-4631 or 800-441-4237 • Fax: 417-673-5001  
[www.CardinalScale.com](http://www.CardinalScale.com)

Cardinal Scale reserves the right to improve, enhance or modify features and specifications without prior notice. All registered trademarks are the property of their respective owners.