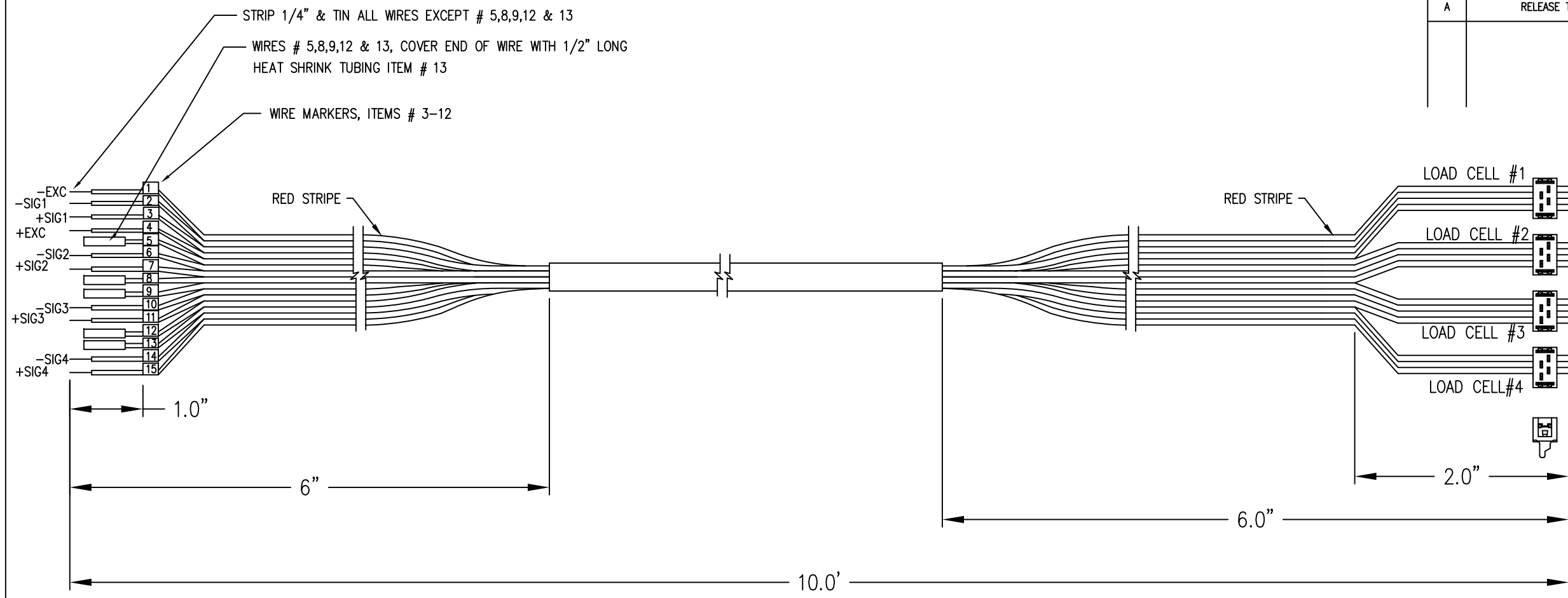


REVISION RECORD			
LTR	DESCRIPTION	DATE	BY
A	RELEASE TO PRODUCTION	2,7,17	28114 bs/




CONNECTOR ALIGNMENT PIN IS TO BE ON PIN ONE SIDE.

6980-1051		
1	-EXC	-EXC
2	-SIG1	-SIG1
3	+SIG1	+SIG1
4	+EXC	+EXC
5	-EXC	-EXC
6	-SIG2	-SIG2
7	+SIG2	+SIG2
8	+EXC	+EXC
9	-EXC	-EXC
10	-SIG3	-SIG3
11	+SIG3	+SIG3
12	+EXC	+EXC
13	-EXC	-EXC
14	-SIG4	-SIG4
15	+SIG4	+SIG4

4	LOAD CELL #1
3	
2	
4	LOAD CELL #2
3	
2	
4	LOAD CELL #3
3	
2	
4	LOAD CELL #4
3	
2	

	15			
	14			
2.5"	13	6710-0008	HEAT SHRINK TUBING, 1/16"	5 PIECES @ 1/2" LG
1	12	6980-0140	WIRE MARKER (0)	
1	11	6980-0149	WIRE MARKER (9)	
1	10	6980-0148	WIRE MARKER (8)	
1	9	6980-0147	WIRE MARKER (7)	
1	8	6980-0146	WIRE MARKER (6)	
2	7	6980-0145	WIRE MARKER (5)	
2	6	6980-0144	WIRE MARKER (4)	
2	5	6980-0143	WIRE MARKER (3)	
2	4	6980-0142	WIRE MARKER (2)	
8	3	6980-0141	WIRE MARKER (1)	
10.0'	2	6980-1051	CABLE	15 COND, 28AWG, JACKETED
4	1	6610-0406	CONNECTOR	4 PIN IDC

QTY.	QTY.	QTY.	ITEM	PART/DWG. NUMBER	DESCRIPTION	MATERIAL OR SOURCE	WT. EACH
			WT.	PARTS/MATERIAL LIST			
UNLESS OTHERWISE SPECIFIED TOLERANCE ON DIMENSIONS ARE: ANGLES ± 1/2° INTEGERS/FRACTIONS ± 1/16 IN. DECIMALS (.X) ± .03 IN. DECIMALS (.XX) ± .01 IN. DECIMALS (.XXX) ± .005 IN. NOTE: WHOLE NUMBERS MUST BE WRITTEN XX.000 TO INVOKE DECIMAL TOLERANCES.				 CARDINAL DETECTO FULLER WEIGHING SYSTEMS			
THIS DRAWING IS THE PROPERTY OF THE CARDINAL SCALE MFG. CO. AND SHALL NOT BE USED NOR REPRODUCED EITHER WHOLLY OR IN PART EXCEPT WITH WRITTEN AUTHORIZATION. ALL RIGHTS OF DESIGN OR INVENTION ARE RESERVED.				TITLE: DIALYSIS LOAD CELL CABLE SCALE: NONE DR. bs DATE 2/7/17 CH. DATE MODEL SHEET 1 OF 1 DWG. NO. 3300-0293-0A REV. A			